

SONY[®]

DATA PROJECTOR

VPL-ES5

VPL-EX5

VPL-EX50

VPL-EX5U

VPL-EW5

REMOTE COMMANDER
RM-PJ4

SERVICE MANUAL
1st Edition (Revised 1)

⚠ 警告

このマニュアルは、サービス専用です。
お客様が、このマニュアルに記載された設置や保守、点検、修理などを行うと感電や火災、人身事故につながる可能性があります。
危険をさけるため、サービストレーニングを受けた技術者のみご使用ください。

⚠ WARNING

This manual is intended for qualified service personnel only.
To reduce the risk of electric shock, fire or injury, do not perform any servicing other than that contained in the operating instructions unless you are qualified to do so. Refer all servicing to qualified service personnel.

⚠ WARNUNG

Die Anleitung ist nur für qualifiziertes Fachpersonal bestimmt.
Alle Wartungsarbeiten dürfen nur von qualifiziertem Fachpersonal ausgeführt werden. Um die Gefahr eines elektrischen Schlages, Feuergefahr und Verletzungen zu vermeiden, sind bei Wartungsarbeiten strikt die Angaben in der Anleitung zu befolgen. Andere als die angegebenen Wartungsarbeiten dürfen nur von Personen ausgeführt werden, die eine spezielle Befähigung dazu besitzen.

⚠ AVERTISSEMENT

Ce manuel est destiné uniquement aux personnes compétentes en charge de l'entretien. Afin de réduire les risques de décharge électrique, d'incendie ou de blessure n'effectuer que les réparations indiquées dans le mode d'emploi à moins d'être qualifié pour en effectuer d'autres. Pour toute réparation faire appel à une personne compétente uniquement.

警告

電池は、間違ったタイプと交換した場合、破裂の危険がある。
使用済み電池は、地域のルールに従って処分すること。

CAUTION

RISK OF EXPLOSION IF BATTERY IS REPLACED BY INCORRECT TYPE.
DISPOSE OF USED BATTERIES ACCORDING TO THE RULE IN REGION.

Table of Contents

1. Service Overview

1-1. Appearance Figure	1-1
1-2. Board Locations	1-1
1-3. Disassembly	1-2
1-3-1. Upper Case Assembly	1-2
1-3-2. Sub Rear Case Assembly	1-3
1-3-3. Main Board	1-3
1-3-4. Power Board and Thermal Sensor Board	1-4
1-3-5. Front Case Assembly and IR Sensor Board	1-5
1-3-6. Fan (Exhaust) -1	1-5
1-3-7. Fan (Exhaust) -2	1-6
1-3-8. Optical Unit Assembly	1-7
1-3-9. Lamp Power Supply	1-8
1-3-10. Fan	1-9
1-3-11. 3D GAMMA Service tool Application Software	1-10

2. Electrical Adjustments

2-1. Initial Values of Adjustment Items	2-1
2-2. Memory Structure	2-7

3. Troubleshooting

3-1. Electric Troubleshooting	3-1
3-2. Power Board Troubleshooting	3-3
3-2-1. No Power	3-3
3-2-2. Failure of Turn on Lamp	3-4
3-3. Optical Troubleshooting	3-6

4. Spare Parts

4-1. Notes on Repair Parts	4-1
4-2. Exploded Views	4-2
4-3. Electrical Parts List	4-4
4-4. Packing Materials & Supplied Accessories	4-4
4-5. Optional Fixtures	4-4

5. Block Diagrams

Overall (VPL-ES5)	5-1
Overall (VPL-EX50)	5-2
Overall (VPL-EX5)	5-3
Overall (VPL-EX5U)	5-4
Overall (VPL-EW5)	5-5

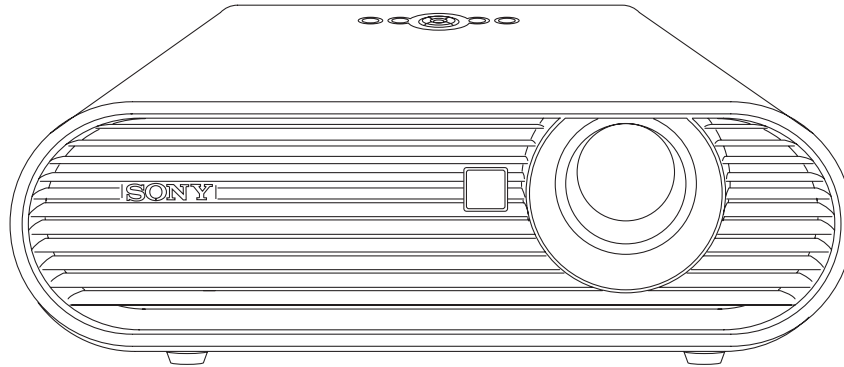
6. Diagrams

6-1. Frame Schematic Diagrams	6-1
Frame (VPL-ES5)	6-1
Frame (VPL-EX50)	6-2
Frame (VPL-EX5/EX5U)	6-3
Frame (VPL-EW5)	6-4

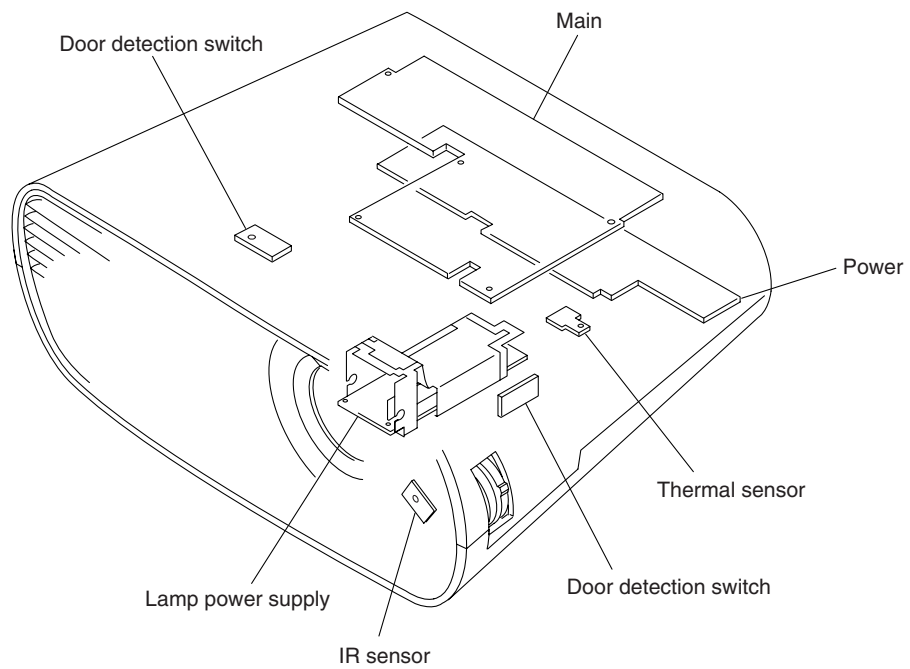
Section 1

Service Overview

1-1. Appearance Figure

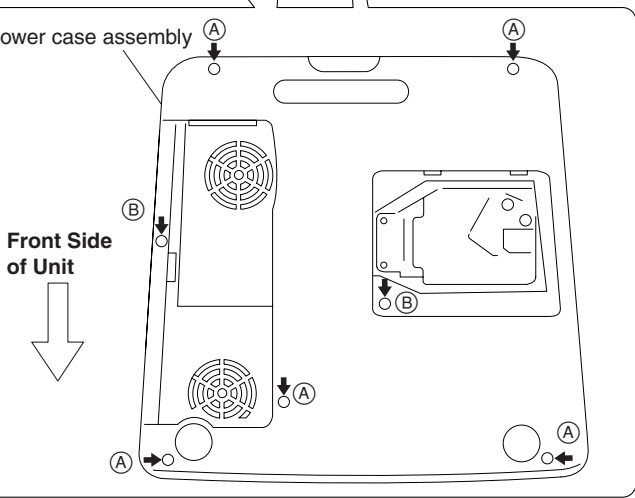
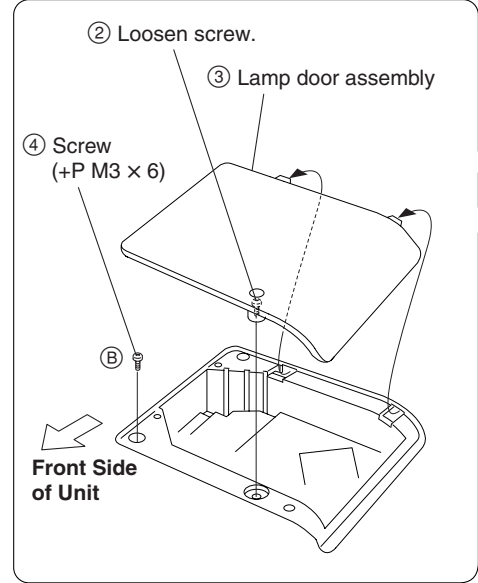
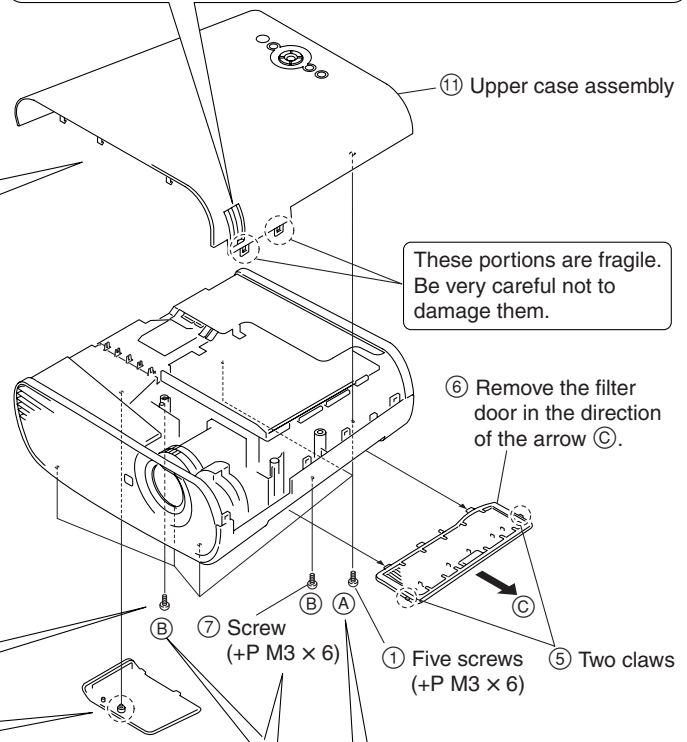
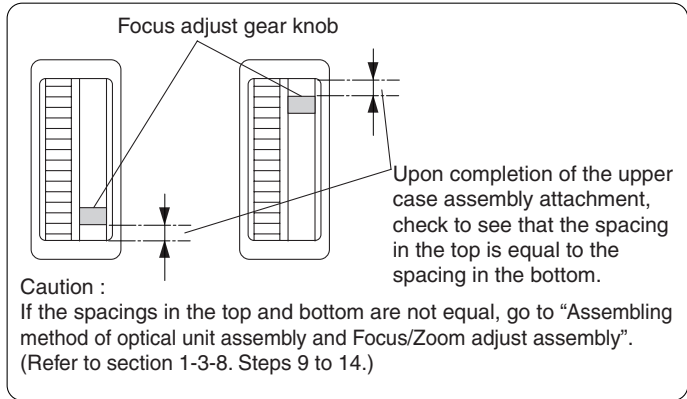
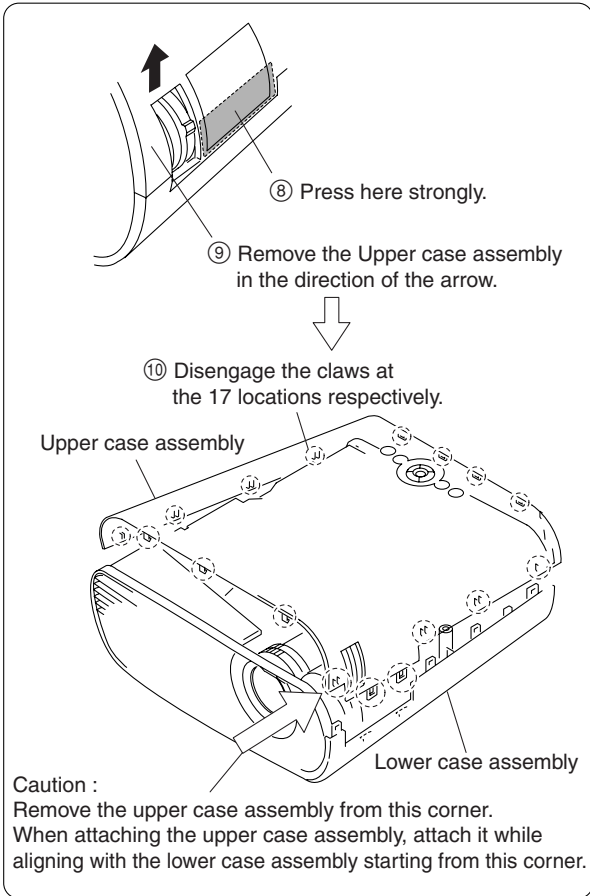


1-2. Board Locations

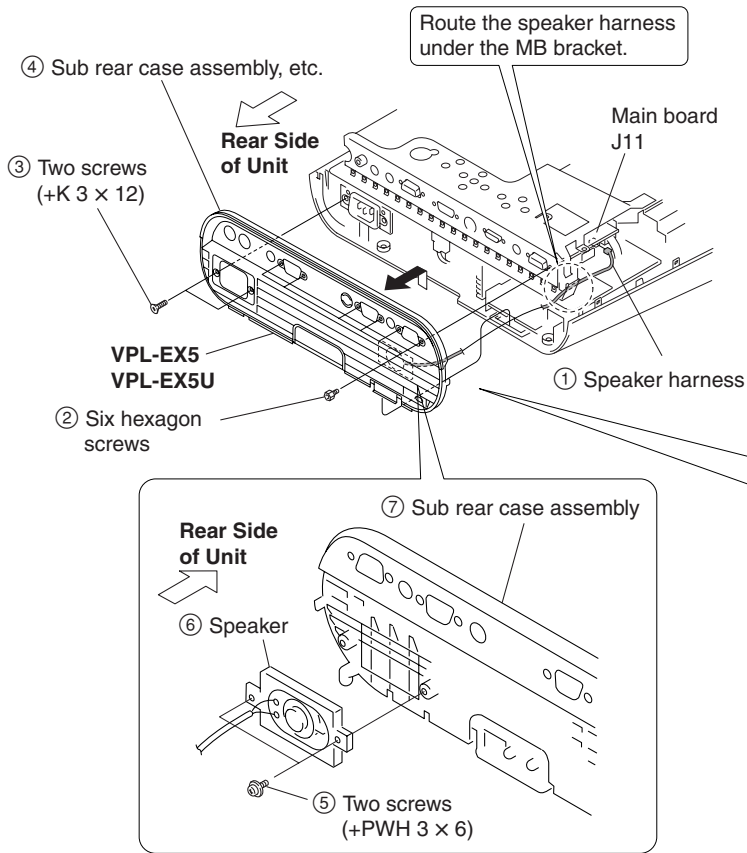


1-3. Disassembly

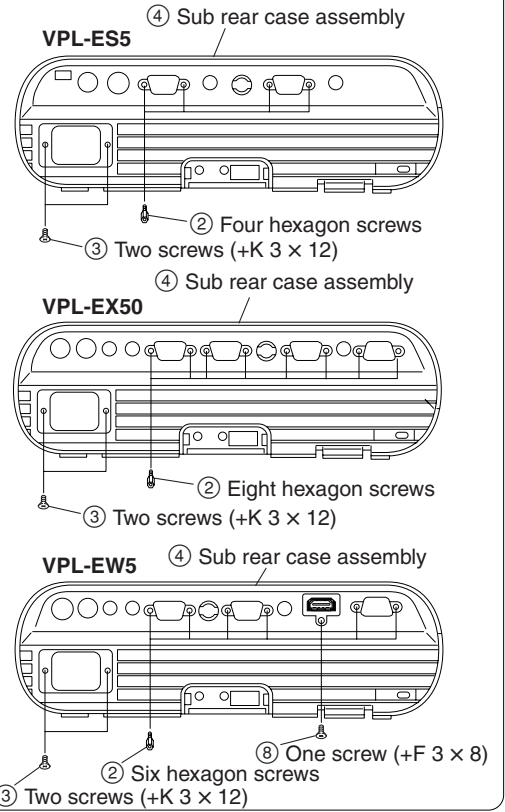
1-3-1. Upper Case Assembly



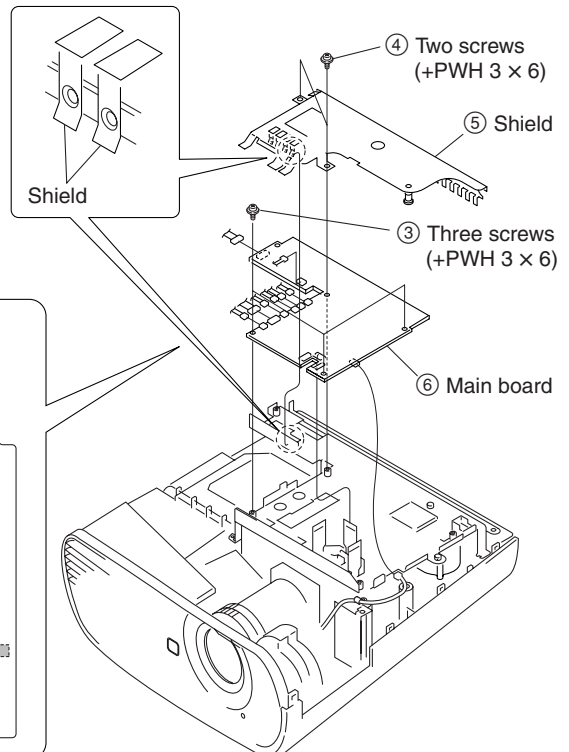
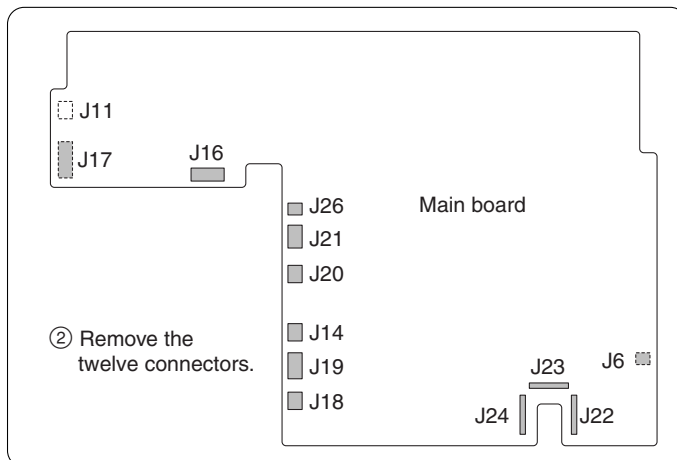
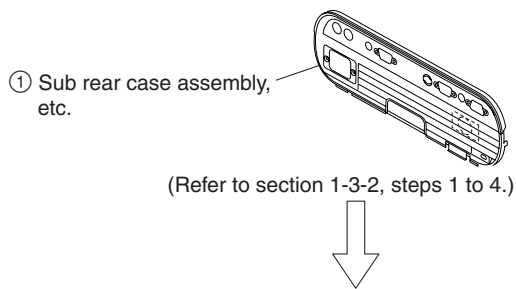
1-3-2. Sub Rear Case Assembly



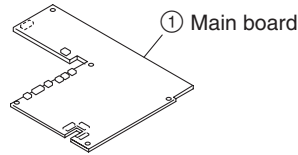
Sub rear case assembly



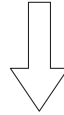
1-3-3. Main Board



1-3-4. Power Board and Thermal Sensor Board



(Refer to section 1-3-3, steps 2 to 6.)



Check to see that the seven connectors are protruding from the MB bracket.

Be careful that the harnesses must not override on top of this port or must not be pinched by this portion.

Duct lamp assembly

Caution :
When attaching the MB bracket, bind the five harnesses into the shape of "U" and attaching them to the MB bracket.

⑥ Four tapping screws (PAN 3 × 7)

⑤ Screw (+PSW M4 × 6)

⑧ MB bracket

② Tapping screw (PAN 3 × 7)

③ Clamp

④ Sheet

Fan

⑪ Power board

⑫ Tapping screw (PAN 3 × 7)

J1

⑬ Thermal sensor board

Duct lamp assembly

⑩ Dowel

Power board

CN701

Miniature fuse-links (F602)

Fuse (H.B.C.) (F601)

Power board

CN605

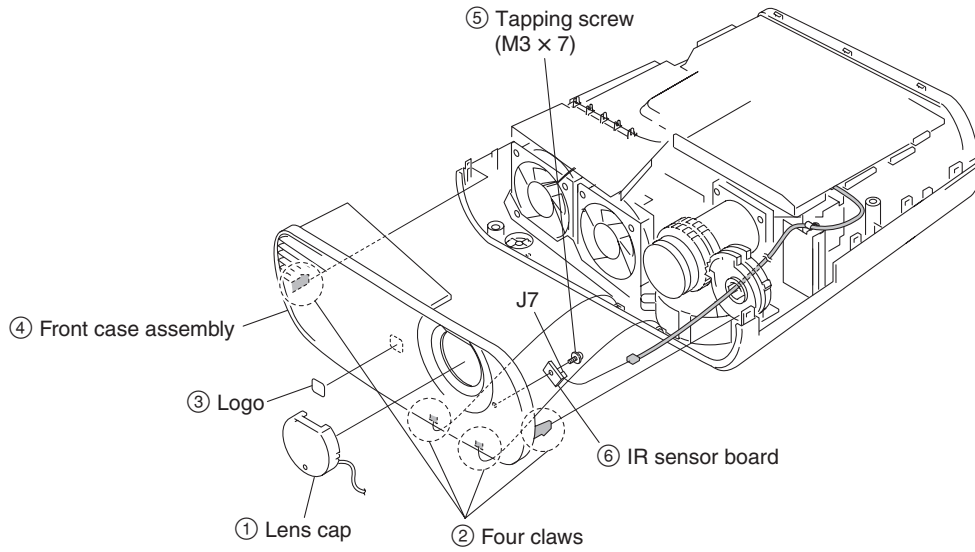
CN603

⑨ Remove the three connectors.

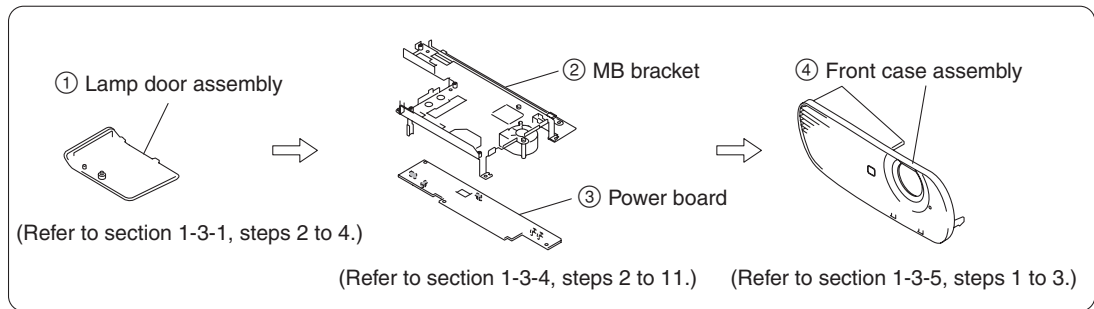
Duct lamp assembly

⑦ Remove the fan in the direction of the arrow.

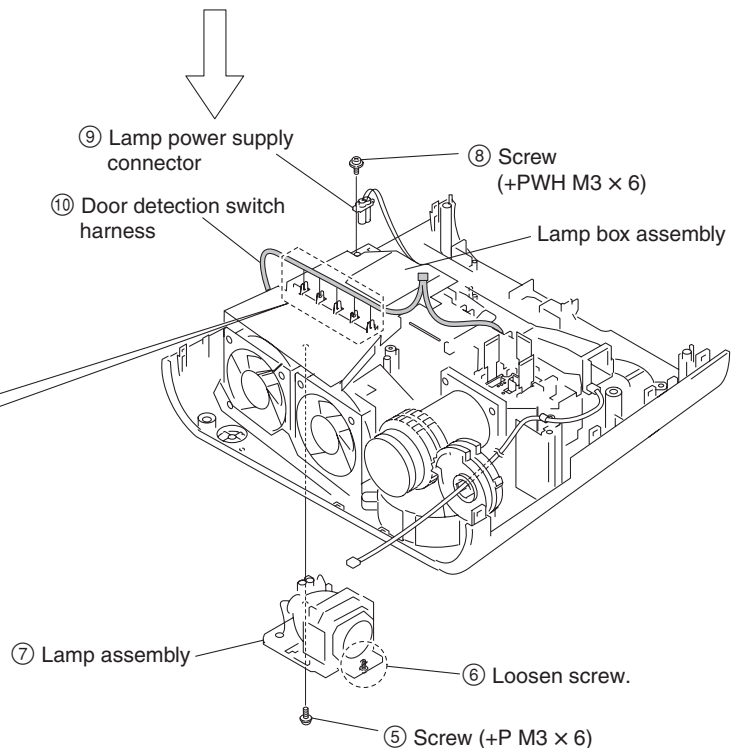
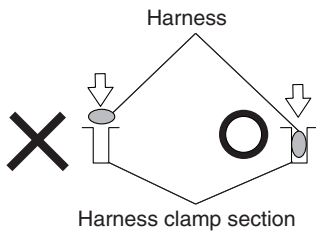
1-3-5. Front Case Assembly and IR Sensor Board



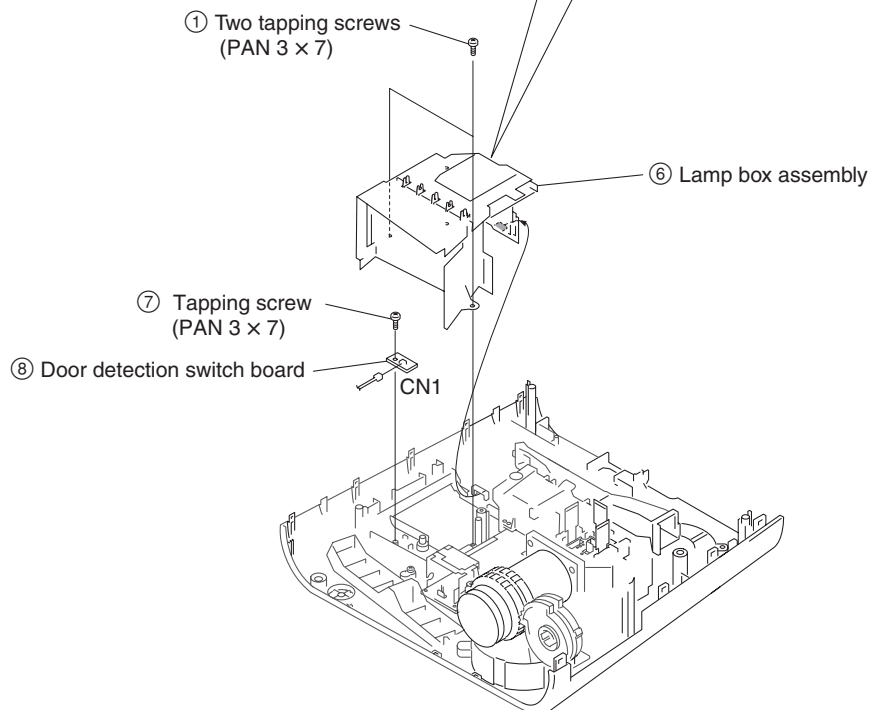
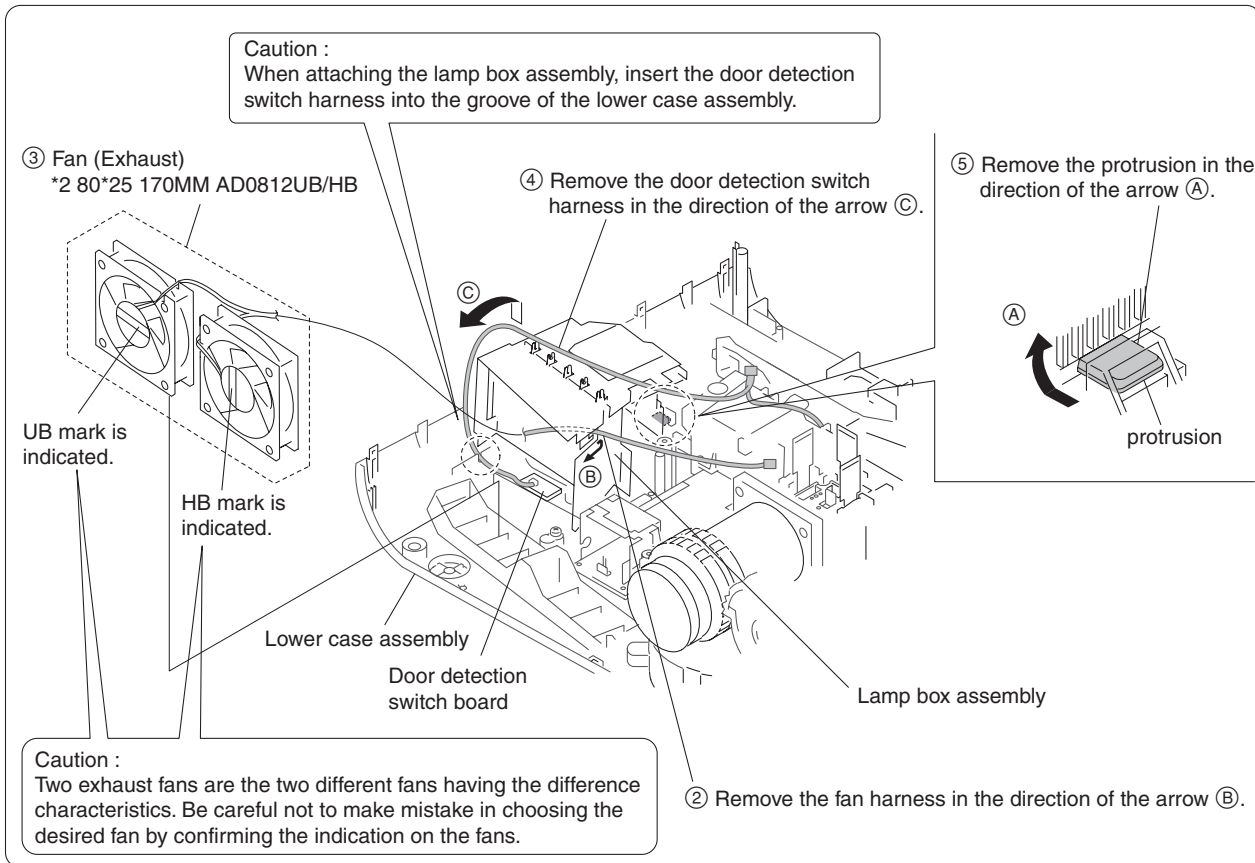
1-3-6. Fan (Exhaust) -1



Caution :
Because the harness has the shape of flat cross-section, do not insert the harness into the harness clamp section with excessive force. Find out the direction in which the harness can be inserted easily, and then insert the harness.

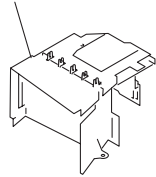


1-3-7. Fan (Exhaust) -2



1-3-8. Optical Unit Assembly

① Lamp box assembly



(Refer to section 1-3-6, steps 5 to 10) and (refer to section 1-3-7, steps 1,2, 4 to 6.)

Caution :
When attaching the dust lamp assembly, route that harnesses in between the duct lamp assembly and optical unit assembly.

④ Duct lamp assembly

③ Tapping screw (PAN 3 × 10)

② Two tapping screws (PAN 3 × 7)

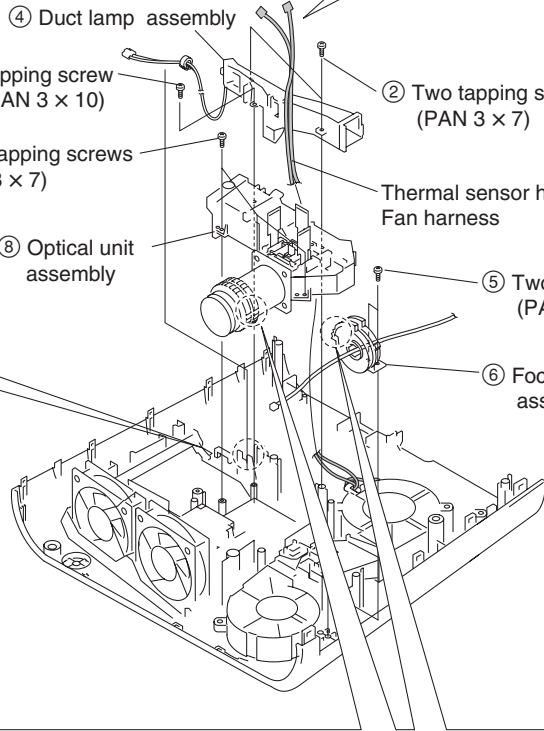
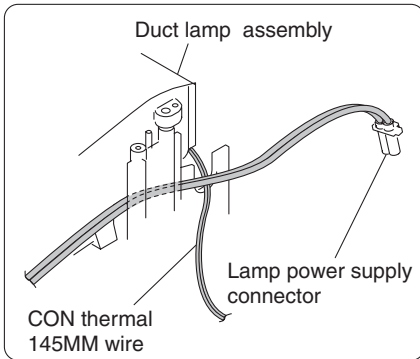
⑦ Three tapping screws (PAN 3 × 7)

Thermal sensor harness, Fan harness

⑧ Optical unit assembly

⑤ Two tapping screws (PAN 3 × 7)

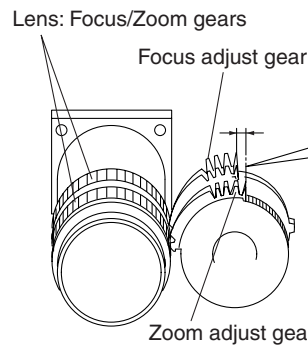
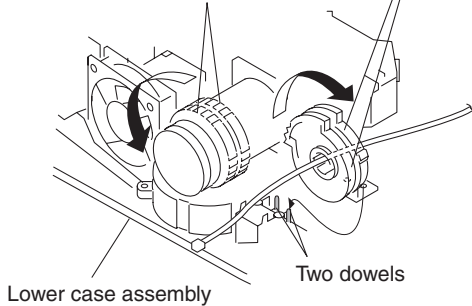
⑥ Focus/Zoom adjust assembly



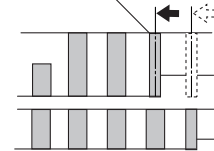
Assembling method of optical unit assembly and Focus/Zoom adjust gears assembly

⑩ Attach the Focus/Zoom Adjust assembly into the two dowels of the lower case assembly after rotating the Focus/Zoom Adjust assembly as far as it can be rotated in the direction of clockwise direction.

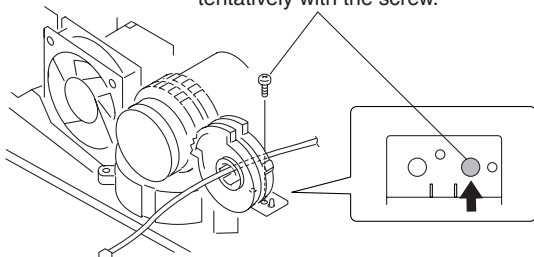
⑨ Lens: Rotate the Focus/Zoom gears in the counter-clockwise direction as far as it can be rotated.



⑫ Rotate the focus adjust gear in the counter-clockwise direction by one tooth. Then, engage these gears with the corresponding lens gears.

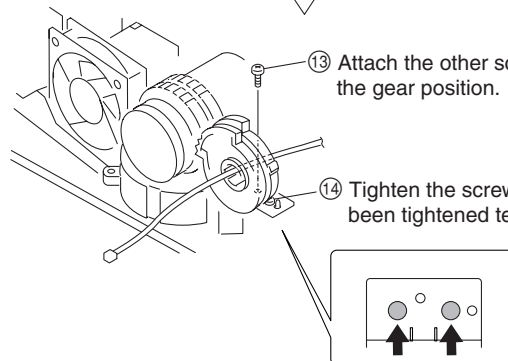


⑪ Fix the Focus/Zoom Adjust assembly tentatively with the screw.

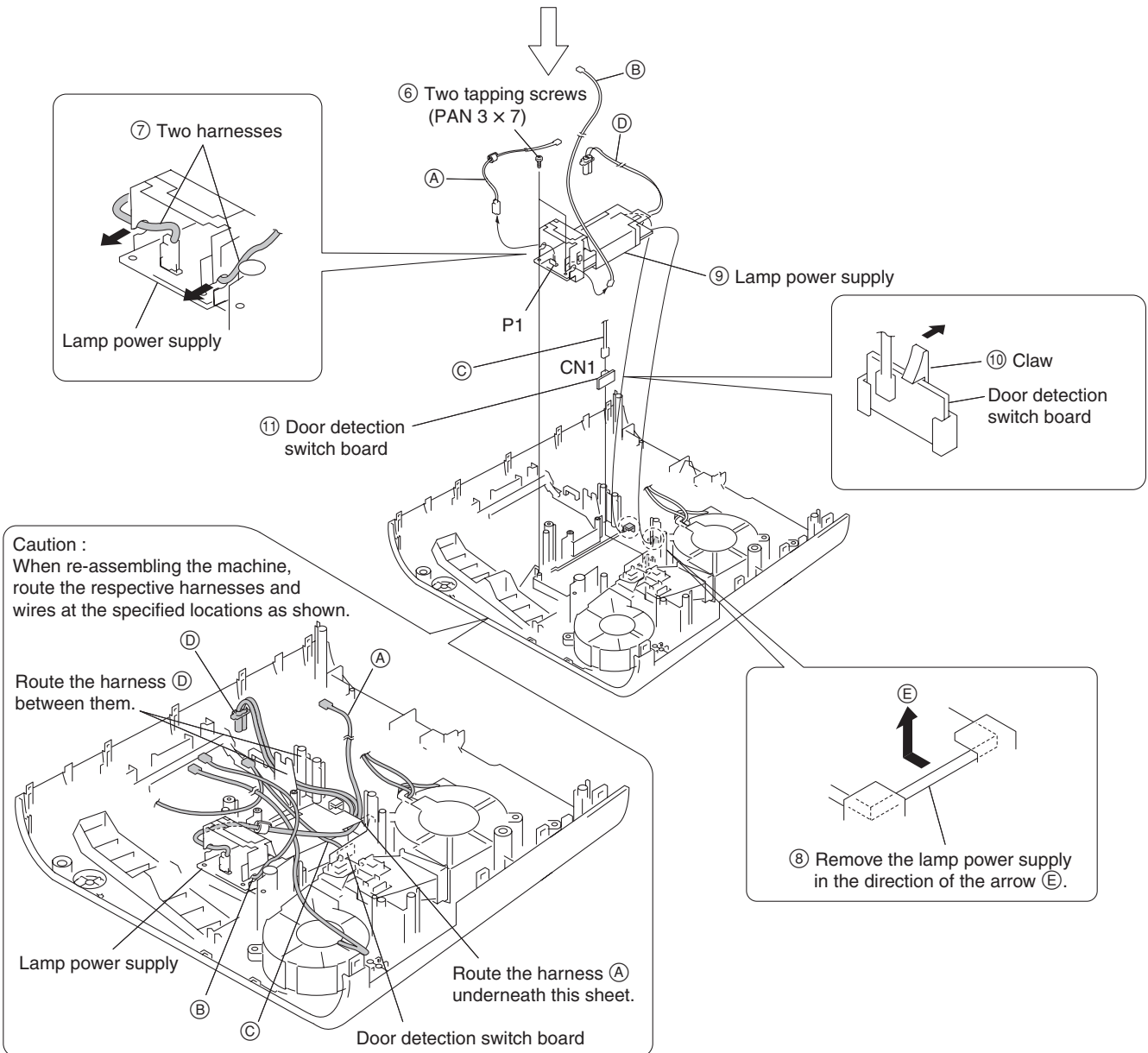
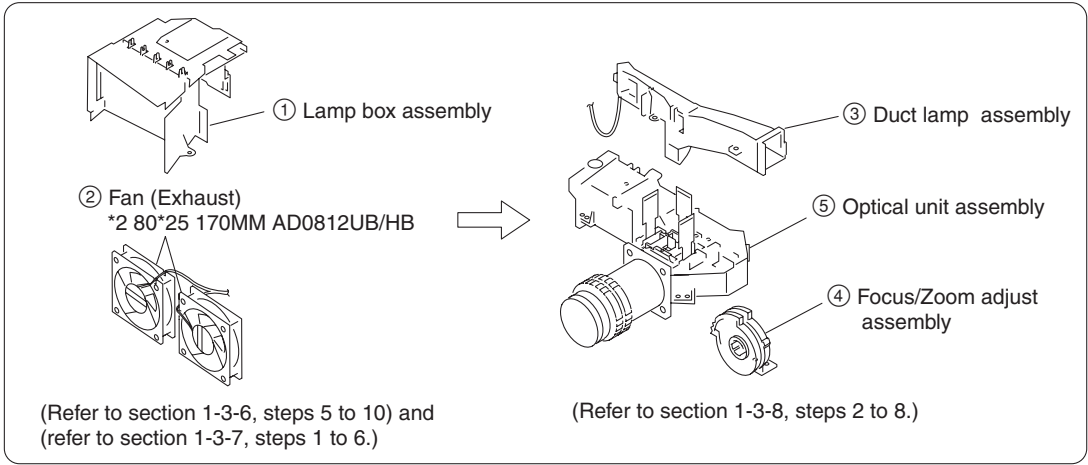


⑬ Attach the other screw while fixing the gear position.

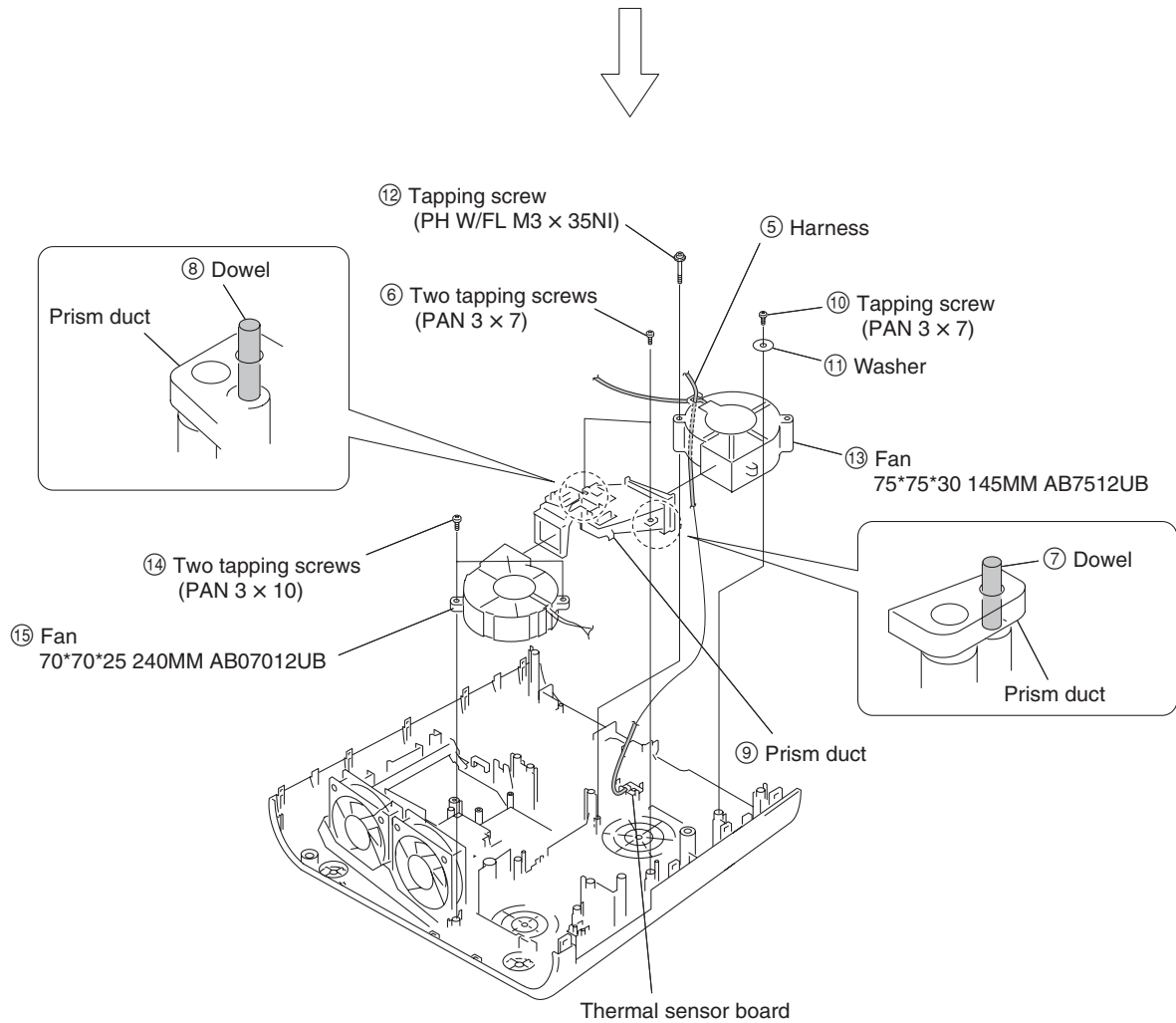
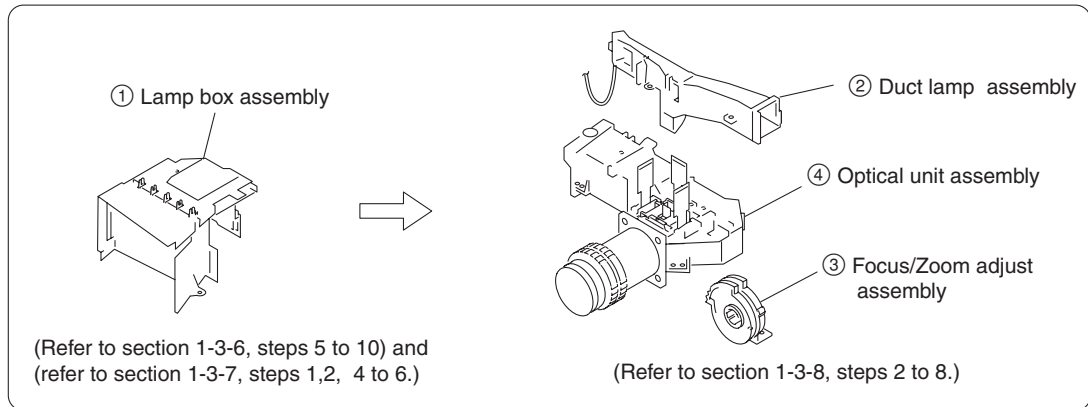
⑭ Tighten the screw finally that has been tightened tentatively.



1-3-9. Lamp Power Supply



1-3-10. Fan



1-3-11. 3D GAMMA Service tool Application Software

Feature of 3D Gamma Quick Access :

- It can read 3D gamma data from a set and save it in a file.
- It can write 3D gamma data in a PC into a set.

When the optical unit is replaced, load 3D gamma data recorded on the micro floppy disk, which is supplied together with the optical unit, into a set using the application software.

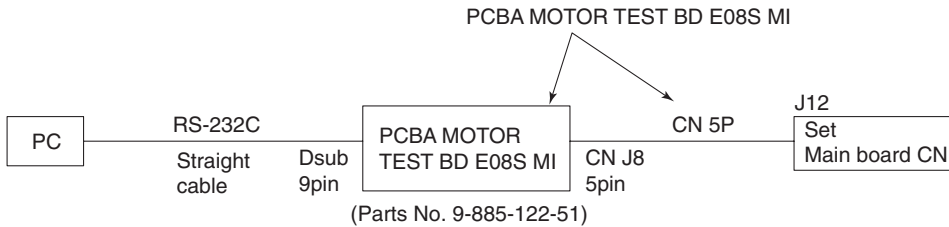
File configuration :

Executable : Ernie Service tool.exe
Readme File : readme_j.txt (Japanese)
 readme_e.txt (English)

Software Acquisition :

Download the application software from the GSP website.

- VPL-ES5 set has not RS-232C terminal, use the PCBA MOTOR TEST BD E08S MI.
- Remove the rubber cap on the upper left of the rear side of the unit.



Section 2 Electrical Adjustments

2-1. Initial Values of Adjustment Items

Picture Mode	Set	VIDEO						S VIDEO						INPUT A (Component/Video/GBR)						INPUT A (Computer), INPUT B (Computer)						
		Dynamic	Standard #3	Game	Living	Cinema	Present-align	Dynamic	Standard #3	Game	Living	Cinema	Present-align	Dynamic	Standard #3	Game	Living	Cinema	Present-align	Dynamic	Standard #3	Game	Living	Cinema	Present-align	
PICTURE SETTING	Adjust Picture																									
	Contrast	90	80	90	90	75	85	90	80	90	90	75	85	90	80	90	90	75	85	90	80	90	90	75	85	
	Bright	60	50	60	50	50	55	60	50	60	50	50	55	60	50	60	50	50	55	60	50	60	50	50	55	
	Color	50	50	68	60	58	50	50	50	68	60	58	50	50	50	68	60	58	50	50	50	60	50	50	50	
	Hue	50	50	50	50	50	50	50	50	50	50	50	50	50	50	50	50	50	50	50	50	50	50	50	50	
	Sharpness	60	30	50	50	30	50	50	60	30	40	40	30	40	60	30	40	40	30	40	60	30	40	40	30	
	DDE																									
	Gamma Mode																									
	Color Temp																									
	Volume	30																								
INPUT SETTING	Adjust Signal																									
	Dot Phase																									
	H Size																									
	Shift																									
Aspect																										
SET SETTING	Smart APA																									
	Auto Input Search																									
	Input A Signal Sel.																									
	Color System																									
	Power Saving Mode																									
	IR Receiver																									
	Panel Key Lock																									
	Lamp Timer Reset																									
MENU SETTING	Status																									
	Language																									
	Menu Position																									
	Start Up Image																									
INSTALL SETTING	Auto Keystone #1																									
	Keystone #1																									
	V Keystone #2																									
	Image Flip																									
	Background																									
	Lamp Mode #1																									
	Standard																									
	High Altitude Mode #1																									
	Off																									
	Security Lock																									
Key																										
Enter x 4																										
Direct Power On																										
Off																										
INFORMATION	All information is display only																									

*1: VPL-EX5/EX50/EX5U/EW5 only

*2: VPL-ES5 only

*3: The "Picture Mode" items in the "PICTURE SETTING" menu have their respective initial values for each input signal (PRESET MEMORY No.).

Note

There are some adjustment items that cannot be adjusted, depending on the input signal.

No.	Preset Signal		SVGA(ES5) / XGA(EX5/EX50/EX5U) / WXGA(EW5)		
			PC	Component	Video GBR
1	VIDEO/60	60Hz	-	4:3 / Normal *1	4:3 / Normal *1
2	VIDEO/50	50Hz	-	4:3 / Normal *1	4:3 / Normal *1
3	480/60i	480/60i	-	4:3 / Normal *1	4:3 / Normal *1
4	575/50i	575/50i	-	4:3 / Normal *1	4:3 / Normal *1
5	480/60p	480/60p (progressive component)	-	4:3 / Normal *1	4:3 / Normal *1
6	575/50p	575/50p (progressive component)	-	4:3 / Normal *1	4:3 / Normal *1
7	1080/60i	1035/60i, 1080/60i	-	16:9 / Full *2	16:9 / Full *2
8	1080/50i	1080/50i	-	16:9 / Full *2	16:9 / Full *2
10	720/60p	720/60p	Full1	16:9 / Full *2	16:9 / Full *2
11	720/50p	720/50p	-	16:9 / Full *2	16:9 / Full *2
21 *	640x350	VGA mode1	Full1	-	-
22 *		VGA VESA 85Hz			
23 *	640x400	NEC PC98	Full1	-	-
24 *		VGA mode 2			
25 *		VGA VESA 85Hz			
26 *	640x480	VGA mode 3	Full1	4:3 / Normal *1	4:3 / Normal *1
27 *		Macintosh 13"			
28 *		VGA VESA 72Hz			
29 *		VGA VESA 75Hz (IBM M3)			
30 *		VGA VESA 85Hz			
31 *	800x600	SVGA VESA 56Hz	Full1	-	-
32 *		SVGA VESA 60Hz			
33 *		SVGA VESA 72Hz			
34 *		SVGA VESA 75Hz			
35 *		SVGA VESA 85Hz			
36 *	832x624	Macintosh 16"	Full1	-	-
37 *	1024x768	XGA VESA 60Hz	Full1	-	-
38 *		XGA VESA 70Hz			
39 *		XGA VESA 75Hz			
40 *		XGA VESA 85Hz			
41 *	1152x864	SXGA VESA 70Hz	Full1	-	-
42		SXGA VESA 75Hz			
43		SXGA VESA 85Hz			
44 *	1152x900	SUN LO	Full1	-	-
45 *	1280x960	SXGA VESA 60Hz	Full1	-	-
46		SXGA VESA 75Hz			
47 *	1280x1024	SXGA VESA 60Hz	Full1	-	-
48		SXGA VESA 75Hz			
49 *		SXGA VESA 85Hz			
50	1400x1050	SXGA+ 60Hz	Full1	-	-
55	1280x768	WXGA 60Hz	Full1	-	-
56	1280x720p	WXGA 60Hz	Full1	16:9 / Full *2	16:9 / Full *2
60	1360x768	1360x768/60	Full1	-	-
61	1440x900	1440x900/60	Full1	-	-
63	1280x800	1280x800/60	Full1	-	-

*1: VPL-EW5 : Normal

*2: VPL-EW5 : Full

Page	Item Name	Set			Color		
		ES5	EX5/EX50/EX5U	EW5	R	G	B
P1-1 CXD9809 (ES5) CXD3540 (EX5/EX50/ EX5U/EW5) page1	TGHST Phase Hi	0	—				
	TGHST Phase Lo	109	—				
	SHSH1	38	—				
	TGHST Position	12	—				
	DEHPF On	ON	—				
	DEHPF AAC	ON	—				
	DEHPF TAP	3	—				
	DEUSC On	OFF	—				
	3D GammaSubCont	0	—				
	3D GammaSubBrt	150	—				
	DELUT SW	OFF	ON				
	DEUF SW		ON				
	Full Black/White SW						

P1-2 CXD9809 (ES5) CXD3540 (EX5/EX50/ EX5U/EW5) page2	PC Hi Gain-R	128	512			
	PC Hi Gain-G	128	512			
	PC Hi Gain-B	128	512			
	PC Hi Bias-R		0			
	PC Hi Bias-G		0			
	PC Hi Bias-B		0			
	PC Lo Gain-R	128	512			
	PC Lo Gain-G	70	280			
	PC Lo Gain-B	100	400			
	PC Lo Bias-R		0			
	PC Lo Bias-G		0			
	PC Lo Bias-B		0			

P1-3 CXD9809 (ES5) CXD3540 (EX5/EX50/ EX5U/EW5) page3	Video Hi Gain-R	128	512			
	Video Hi Gain-G	80	320			
	Video Hi Gain-B	120	480			
	PC Mid Bias-R		0			
	Video Hi Bias-G		0			
	Video Hi Bias-B		0			
	Video Lo Gain-R	128	512			
	Video Lo Gain-G	70	280			
	Video Lo Gain-B	100	400			
	Video Lo Bias-R		0			
	Video Lo Bias-G		0			
	Video Lo Bias-B		0			

Page	Item Name	Set			Color		
		ES5	EX5/EX50/EX5U	EW5	R	G	B
P1-4 CXD980 (ES5) CXD3540 (EX5/EX50/ EX5U/EW5) page4	PC Mid Gain-R	128	512				
	PC Mid Gain-G	90	360				
	PC Mid Gain-B	115	460				
	PC Mid Bias-R	0					
	PC Mid Bias-G	0					
	PC Mid Bias-B	0					
	Video Mid Gain-R	128	512				
	Video Mid Gain-G	75	300				
	Video Mid Gain-B	105	420				
	Video Mid Bias-R	0					
	Video Mid Bias-G	0					
	Video Mid Bias-B	0					

P2 Fan Control	Temperature 1	Display only	N/A				
	Temperature 2	Display only					
	Temperature 3	N/A					
	FanSpeed 1	Display only					
	FanSpeed 2	Display only					
	FanSpeed 3	Display only					
	FanSpeed 4	Display only					
	ManualFanSpeed	OFF					
	Burn-In Cycle	0					
	Burn-In Cycle On min.	210					
	Burn-In Cycle Off min.	30					
	Burn-In Hour	50					
	Burn-In active	OFF					

P3-1 CXA7006 (ES5) CXA7009 (EX5/EX50/ EX5U/EW5) page1	Gain-R	154	194	211			
	Gain-G	154	194	211			
	Gain-B	154	194	211			
	SigCen-R	161	47	48			
	SigCen-G	161	47	48			
	SigCen-B	161	47	48			
	SidA-R	22	18				
	SidA-G	22	18				
	SidA-B	22	18				
	SidB-R	85	156	152			
	SidB-G	85	156	152			
	SidB-B	85	156	152			

Page	Item Name	Set			Color		
		ES5	EX5/EX50/EX5U	EW5	R	G	B
P3-2 CXA7006 (ES5) CXA7009 (EX5/EX50/ EX5U/EW5) page2	Bias-R Normal	112	0				
	Bias-G Normal	112	0				
	Bias-B Normal	112	0				
	Bias-R Flip	112	0				
	Bias-G Flip	112	0				
	Bias-B Flip	112	0				
	Vcom-R Normal	88	83	99			
	Vcom-G Normal	88	83	100			
	Vcom-B Normal	88	83	99			
	Vcom-R Flip	88	83	99			
	Vcom-G Flip	88	83	100			
	Vcom-B Flip	88	83	99			

P4 ADC Calibration	RGB Calibrate						
	YUV Calibrate						
	RGB Offset				164	222	164
	RGB Gain				93	105	93
	YUV Offset				164	222	164
	YUV Gain				93	105	93
	R Offset		164				
	G Offset		222				
	B Offset		164				
	R Gain		93				
	G Gain		105				
	B Gain		93				

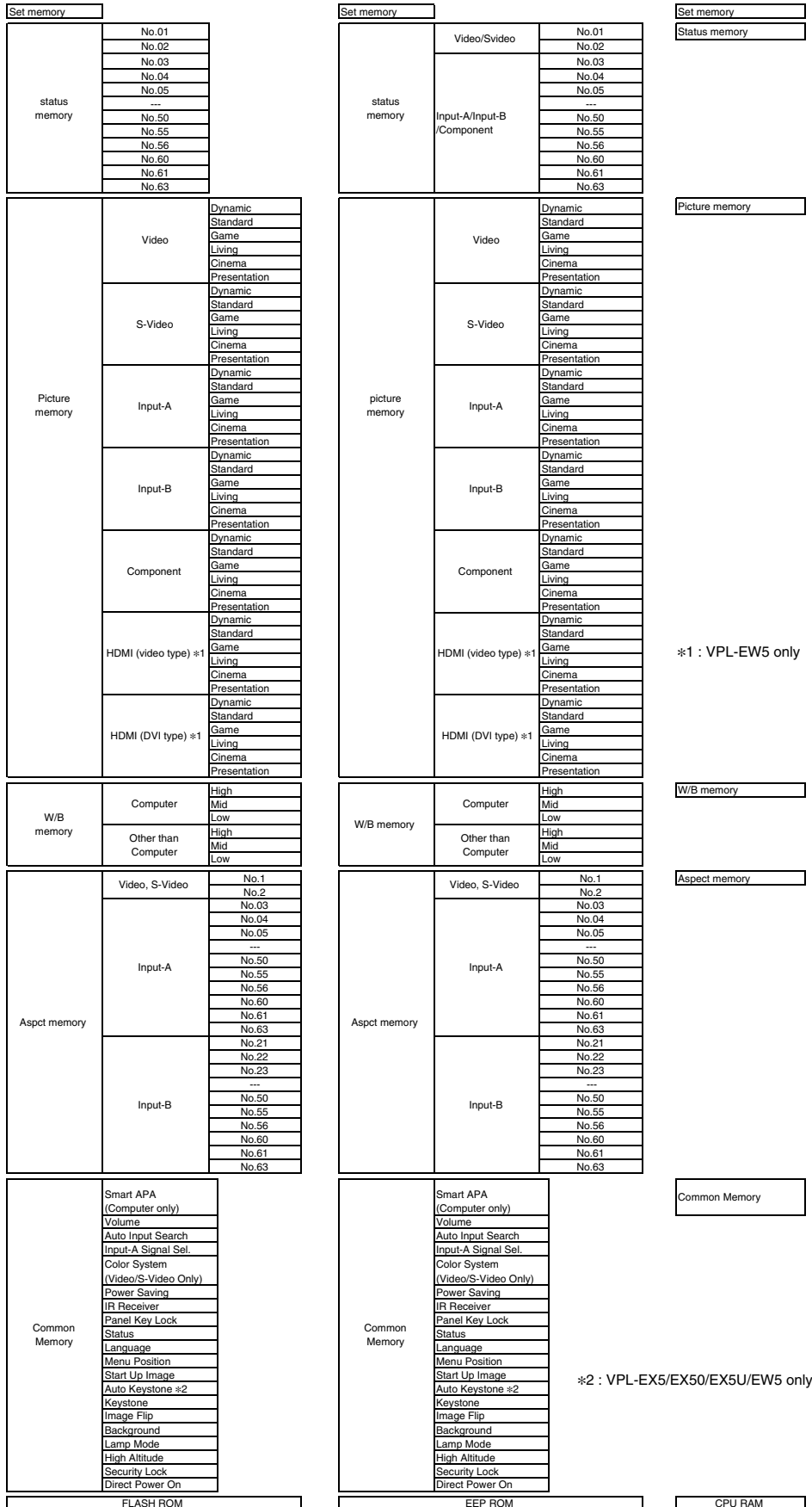
P5	Power Saving Time	10			
	System Protect	ON			
	Data Reset				
	Hard Reset *	Not use			
	ROM Version	Display only			
	Lamp Timer	Display only			
	Operation Timer	Display only			
	Prev. Lamp Timer	Display only			
	SOG Threshold	9			

P6 Error Count	All value is display only				
-------------------	---------------------------	--	--	--	--

* : Hard reset deletes the adjusted data and restores the default data.

Page	Item Name	Set		
		ES5	EX5/EX50/EX5U	EW5
P7 Keystone Adjustment	average time	—	Display only	—
	Current Y Axis	—	Display only	—
	Current Tout counts	—	Display only	—
	Save T1 data	—		—
	T1:	—	1	—
	Axis1:	—	1	—
	Save T2 data	—		—
	T2:	—	1	—
	Axis2:	—	1	—
	set manual 'b' left key x	—	1000	—
	a	—	1	—
	b	—	1	—
	Calculate sensitivity	—		—
	sensitivity	—	1	—
	current g	—	Display only	—

2-2. Memory Structure



Memory structure of this model consists of the followings.

- 1 Set memory
- 2 Status memory
- 3 Picture memory
- 4 Chroma memory
- 5 W/B memory
- 6 Channel memory

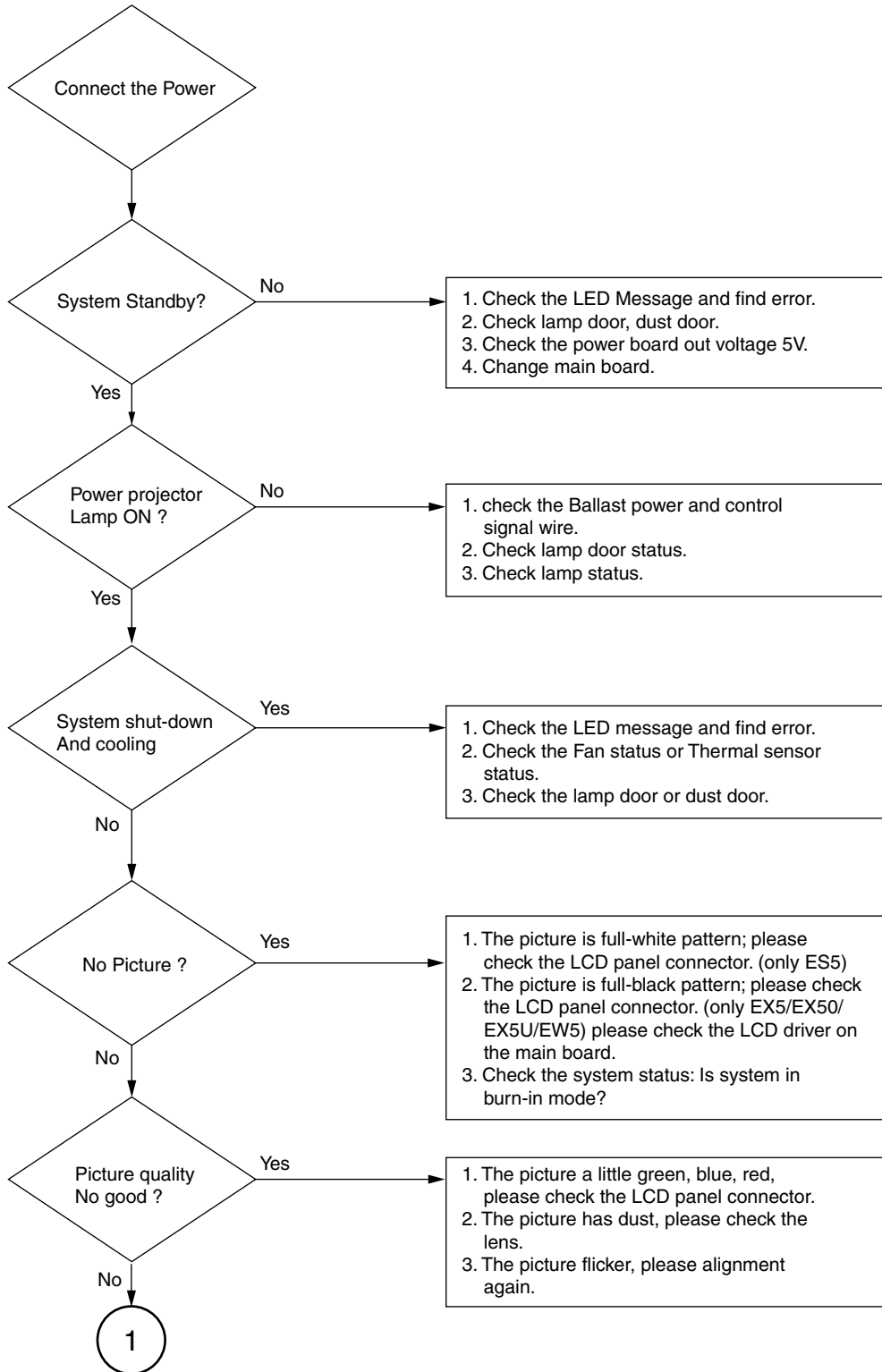
* The gamma memory is realized by giving offset to the Contrast and Brightness output values to the devices in the gamma mode function.

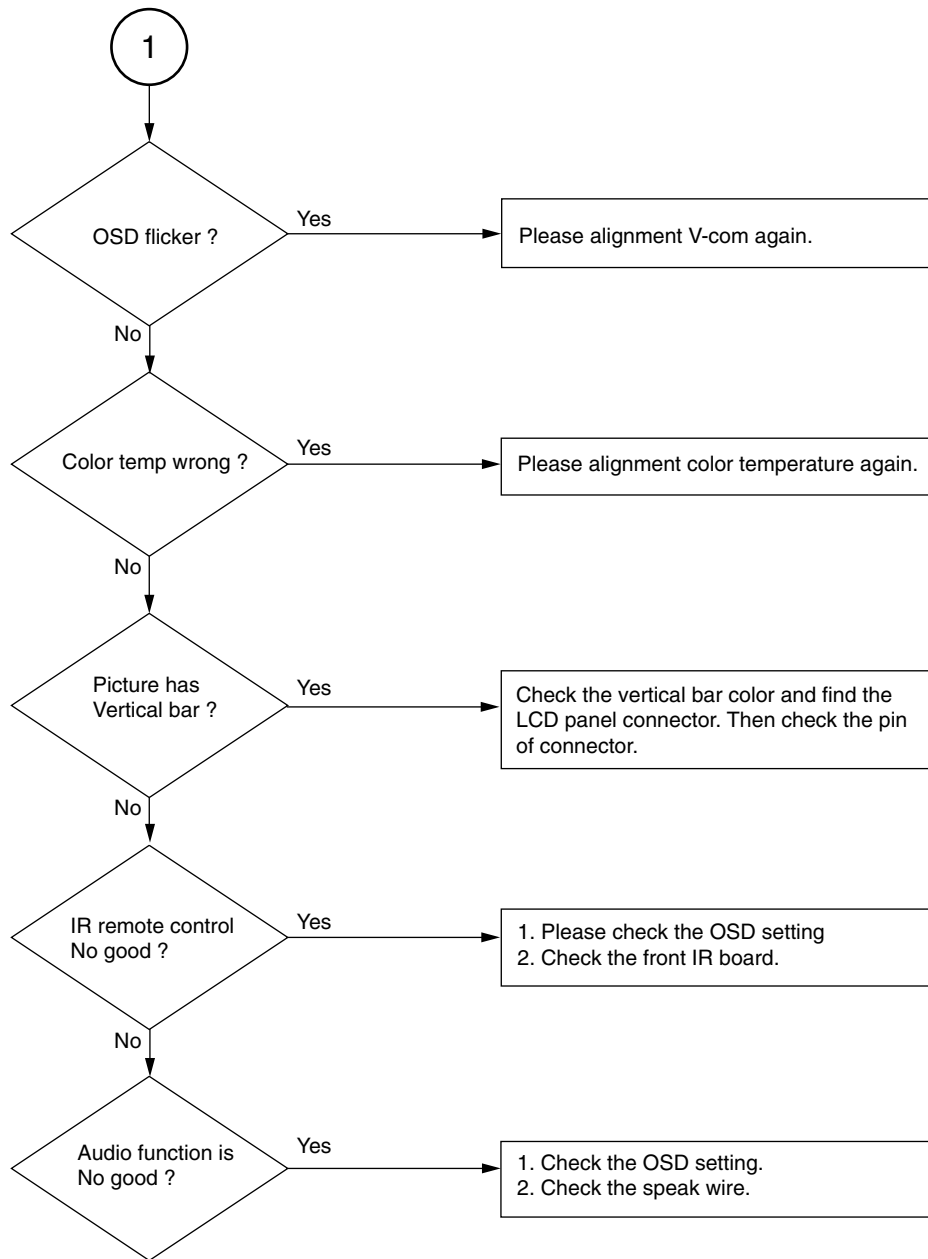
Flow of data is described briefly. When the power plug is connected to the wall outlet for the first time (Standby state), all data that are stored in the internal ROM are written in the NVM (non-volatile memory). When the POWER is turned ON, all the status memory data and other memory data that are required for the present picture are selected from each memory block and expanded in the internal RAM. When any adjustment is performed at this moment, the adjustment data (user mode items) are written in the NVM (Service/Special Service) automatically triggered by the memory operation.

The adjustment items (W/B, Device Adjust) that can be adjusted in the Service Mode or in the Special Service Mode, are memorized in the NVM at the time when the user performs adjustment and performs the memory operation. Note that the factory adjustment data will be lost at this moment.

Section 3 Troubleshooting

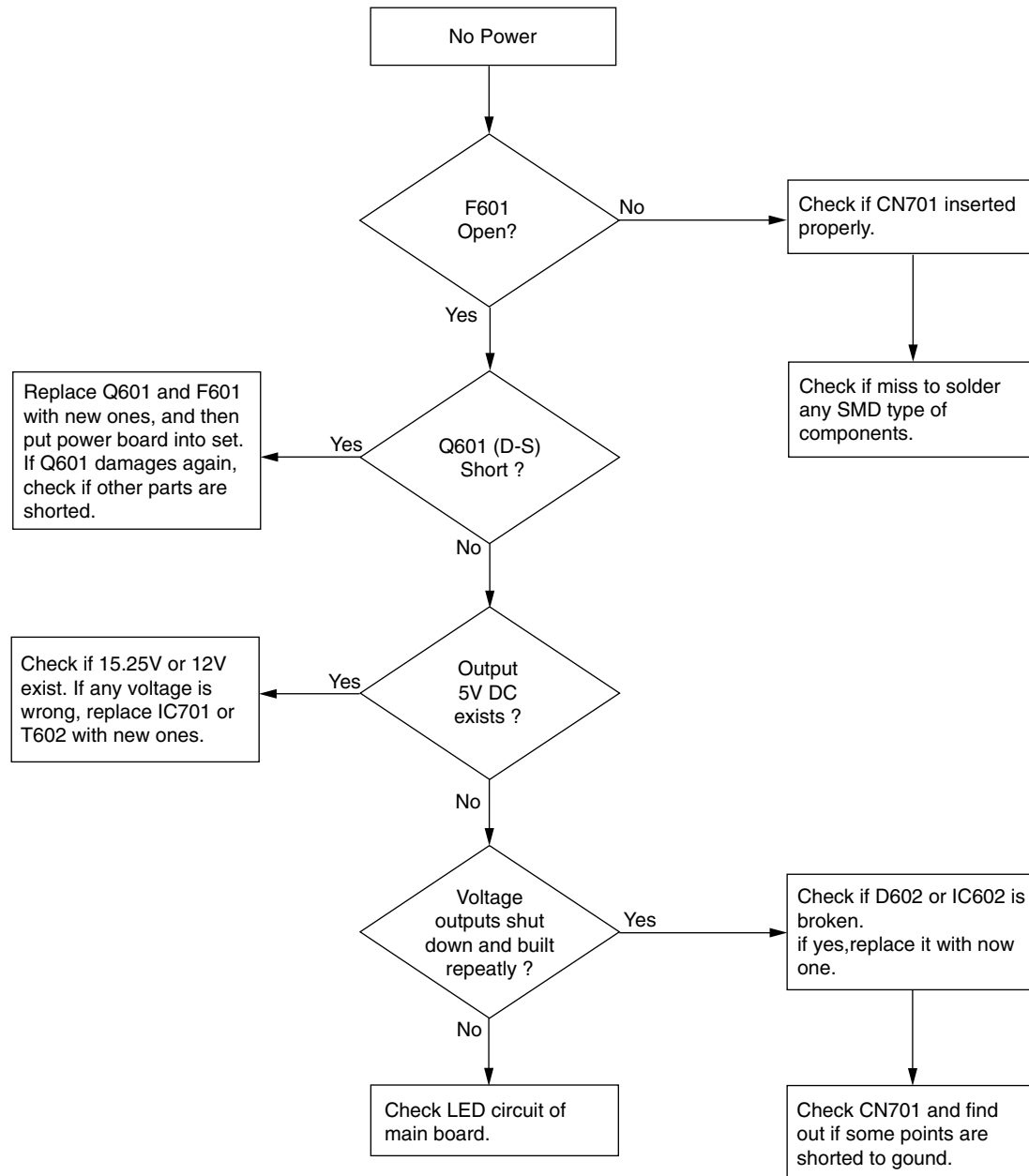
3-1. Electric Troubleshooting



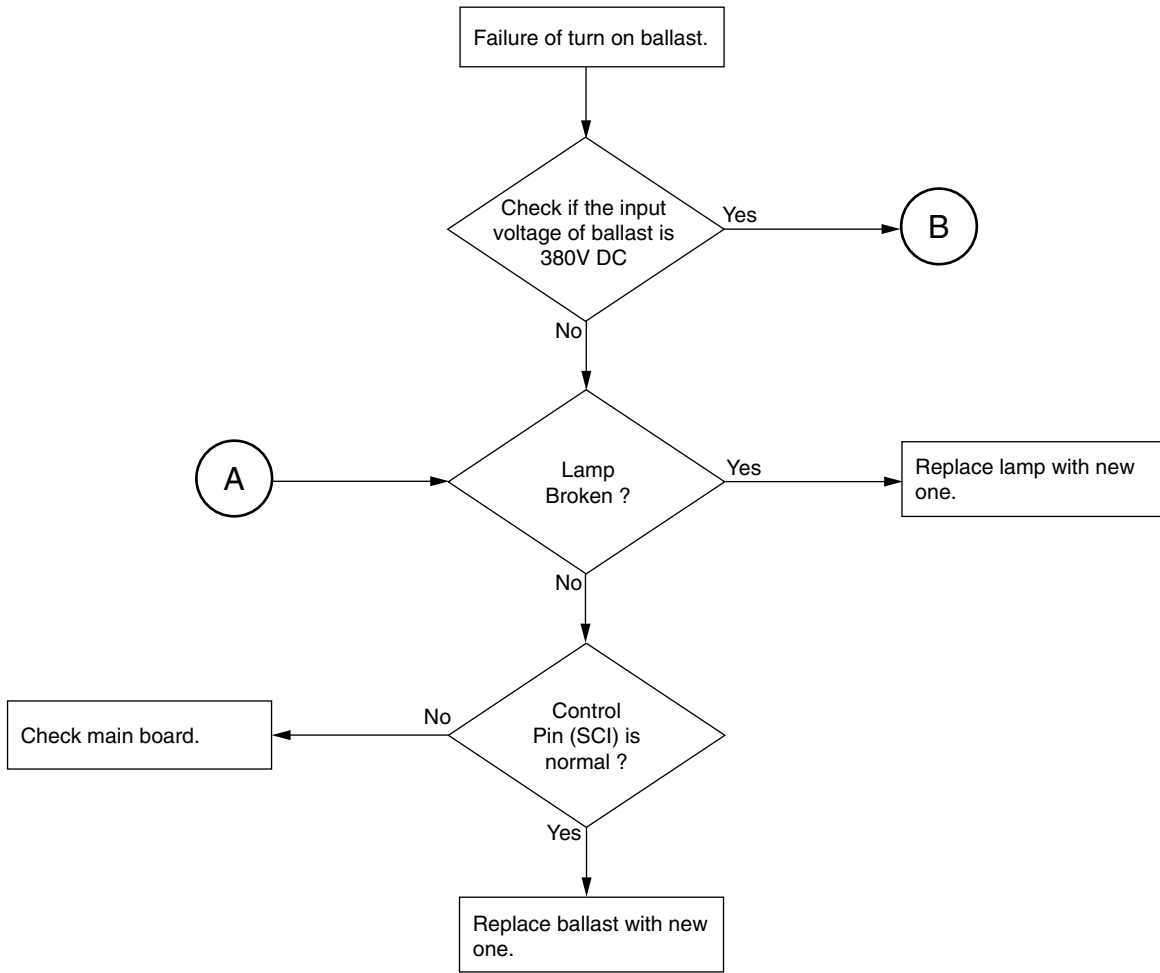


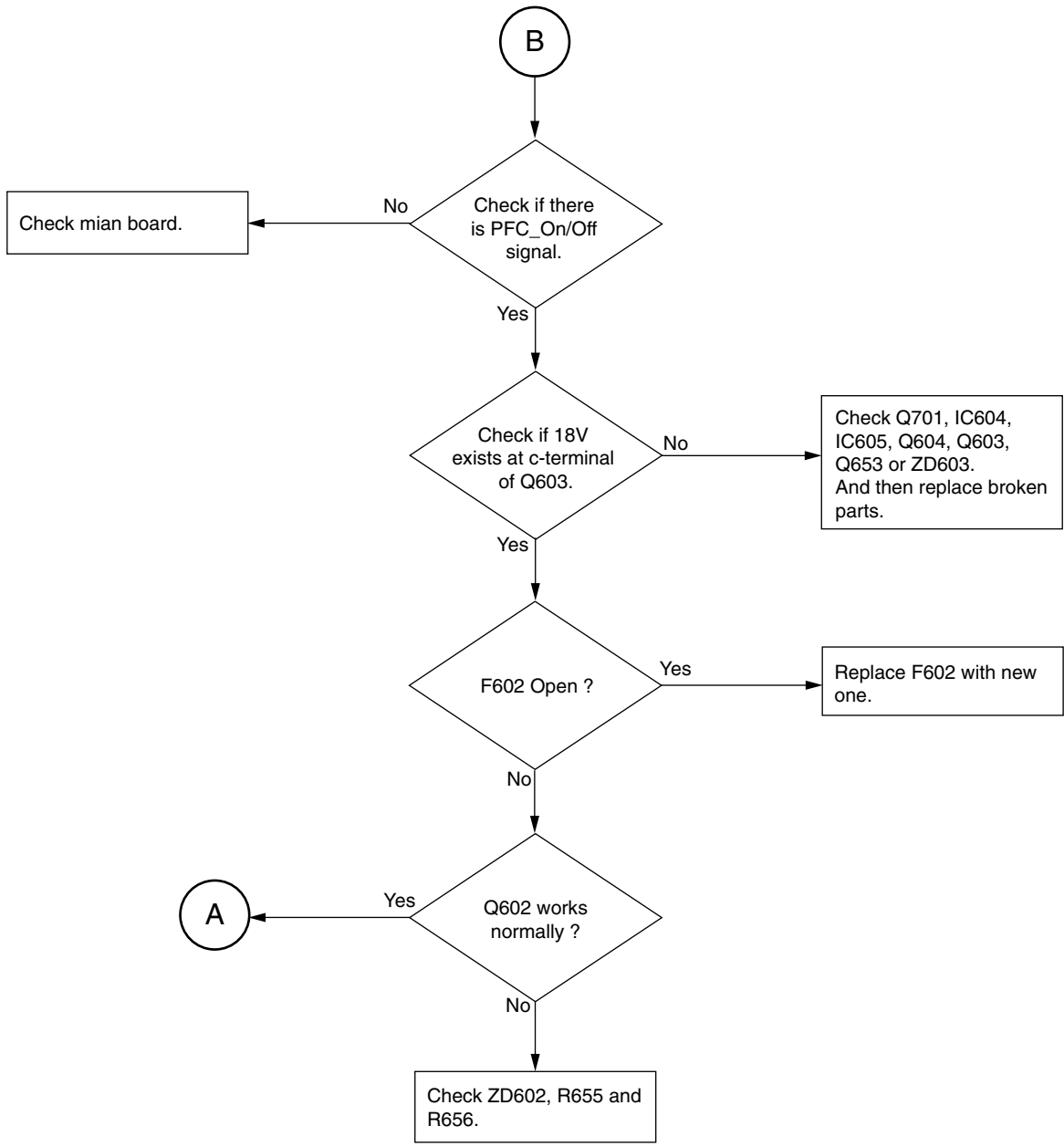
3-2. Power Board Troubleshooting

3-2-1. No Power

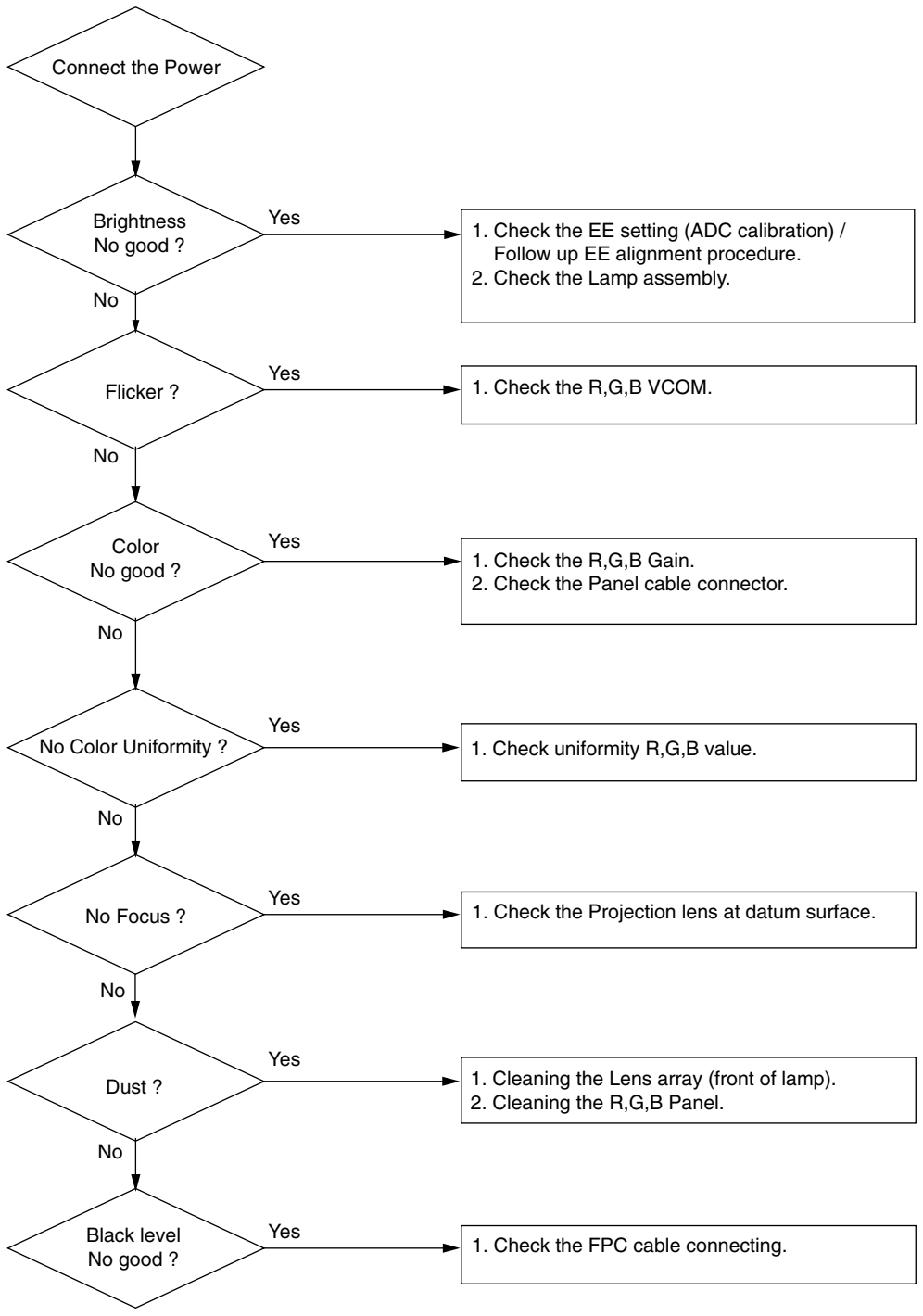


3-2-2. Failure of Turn on Lamp





3-3. Optical Troubleshooting



Section 4

Spare Parts

4-1. Notes on Repair Parts

1. Safety Related Components Warning

WARNING

Components marked \triangle are critical to safe operation. Therefore, specified parts should be used in the case of replacement.

WARNHINWEIS

Les composants identifiés par la marque \triangle sont critiques pour la sécurité.

Ne les remplacer que par une pièce portant le numéro spécifié.

2. Standardization of Parts

Some repair parts supplied by Sony differ from those used for the unit. These are because of parts commonality and improvement.

Parts List has the present standardized repair parts.

3. Stock of Parts

Parts marked with “o” at SP (Supply Code) column of the Spare Parts list may not be stocked. Therefore, the delivery date will be delayed.

Items with no part number and no description are not stocked because they are seldom required for routine service.

4. Units for Capacitors, Inductors and Resistors

The following units are assumed in Schematic Diagrams, Electrical Parts List and Exploded Views unless otherwise specified.

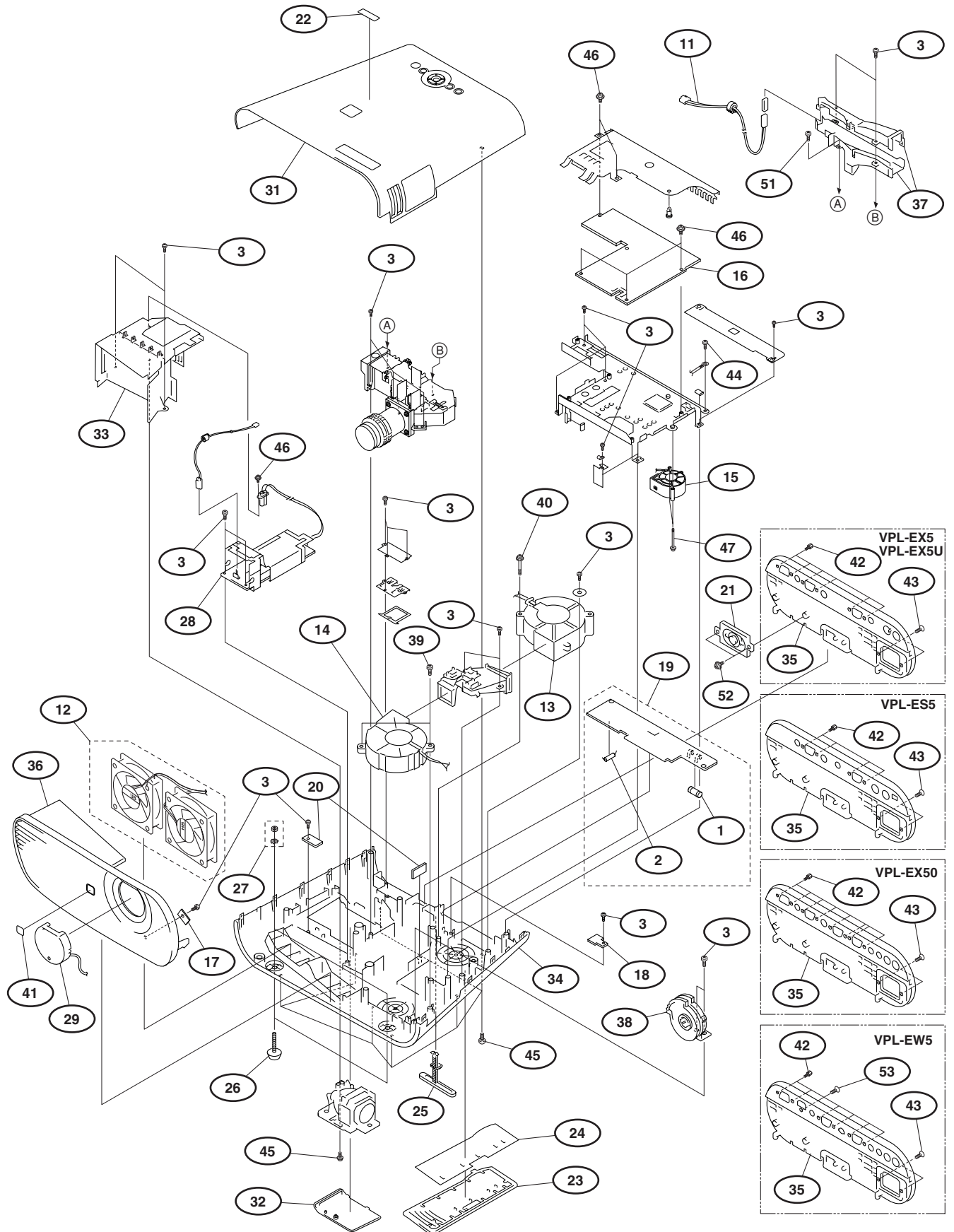
Capacitors	: μF
Inductors	: μH
Resistors	: Ω

5. Note for Electrical key

The components identified by mark \square contain confidential information.

Strictly follow the instructions whenever the components are repaired and/or replaced.

4-2. Exploded Views



No.	Part No.	SP Description
1	△ 1-576-233-51	s FUSE (H.B.C.) (F601)
2	△ 1-576-973-11	s MINIATURE FUSE-LINKS (F602)
3	2-681-550-01	s SCREW, TAP PAN M3*7L
11	9-885-118-05	s WIRE 2P_CON+THERMAL 145MM E08X
12	△ 9-885-118-06	s FAN*2 80*25 170MM AD0812UB/HB
13	△ 9-885-118-07	s FAN 75*75*30 145MM AB7512UB
14	△ 9-885-118-08	s FAN 70*70*25 240MM AB7012UB
15	△ 9-885-118-09	s FAN 60*60*25 183MM AB0612MB
16	9-885-118-10	s PCBA MAIN BD 6L E08X MI (VPL-EX50)
16	9-885-118-11	s PCBA MAIN BD 6L E08XJR MI (VPL-EX5)
16	9-885-118-12	s PCBA MAIN BD 6L E08S MI (VPL-ES5)
16	▣ 9-885-118-13	s PCBA MAIN BD 6L E08W MI (VPL-EW5)
16	9-885-122-39	s PCBA MAIN BD 6L E08XU MI (VPL-EX5U)
17	9-885-118-14	s PCBA IR BD E08X MI
18	1-789-544-11	s PCBA THERMAL SENSOR BD MI
19	9-885-118-16	s PCBA POWER BD 2L E08W MI
20	9-885-118-17	s PCBA SWITCH BD E08X MI
21	9-885-118-18	s SPK 2W8OHM 130MM W4028CP-130
22	3-094-309-01	s MYLAR BRIGHTER E08 (EXCEPT VPL-ES5)
23	9-885-118-22	s DOOR FILTER PC E08X
24	9-885-118-23	s MESH FILTER E08X
25	9-885-118-24	s ASSY ADJ FOOT E08X
26	9-885-118-26	s RUBBER FRONT FOOT E08X
27	9-885-118-27	s NUT HEX+WASHER M3*2.3H NI
28	△ 9-885-118-28	s MYLAR BALLAST PC E08X
29	9-885-118-29	s CAP LENS PC E08X
31	9-885-118-31	s ASSY, UPPER CASE E08X (EXCEPT VPL-EX5U)
31	9-885-121-00	s ASSY UPPER CASE E08XU (VPL-EX5U)
32	9-885-118-32	s ASSY, LAMP DOOR E08X
33	9-885-118-33	s ASSY LAMP BOX E08X
34	9-885-118-34	s ASSY LOWER CASE E08X
35	9-885-118-35	s ASSY REAR CASE E08X (VPL-EX50)
35	9-885-118-36	s ASSY REAR CASE E08XJR (VPL-EX5, VPL-EX5U)
35	9-885-118-37	s ASSY REAR CASE E08S (VPL-ES5)
35	9-885-118-38	s ASSY REAR CASE E08W (VPL-EW5)
36	9-885-118-39	s ASSY FRONT CASE E08X
37	9-885-118-40	s ASSY LAMP NOZZLE E08X
38	9-885-118-41	s ASSY ADJUST GEAR E08 E08X
39	9-885-118-42	s SCREW TAP W/FLA M3x10L PT ZN
40	9-885-118-43	s SCREW TAP W/FLA M3x35 NI D-PT
41	9-885-118-44	s LOGO XGA PC E08X SONY (VPL-EX50)
41	9-885-118-45	s LOGO JR PC E08XJR SONY (VPL-EX5)
41	9-885-118-46	s LOGO SVGA PC E08S SONY (VPL-ES5)
41	9-885-118-47	s LOGO WXGA PC E08W SONY (VPL-EW5)
41	9-885-120-99	s LOGO PC E08XU SONY (VPL-EX5U)
42	2-681-552-02	s SCRW MACH HEX #4-40*4
43	7-682-250-09	s SCRW +K 3X12
44	2-580-599-01	s SCRW +PSW M4X6
45	3-918-696-11	s SCRW (M3X6 LOCK ACE)
46	7-682-903-11	s SCRW +PWH 3X6
47	7-682-954-01	s SCRW +PSW M3X25
51	This part is not supplied as the repair part. If this part is broken or lost, the part reference No. 39 can be used.	
52	This part is not supplied as the repair part. If this part is broken or lost, the part reference No. 46 can be used.	
53	4-654-811-21	s SCRW +F M3X8 EG (VPL-EW5)

4-3. Electrical Parts List

Ref. No. or Q'ty	Part No.	SP Description
1pc	△ 1-576-233-51	s FUSE (H.B.C) (F601)
1pc	△ 1-576-973-11	s MINITURE FUSE-LINKS (F602)

4-4. Packing Materials & Supplied Accessories

SUPPLIED ACCESSORIES

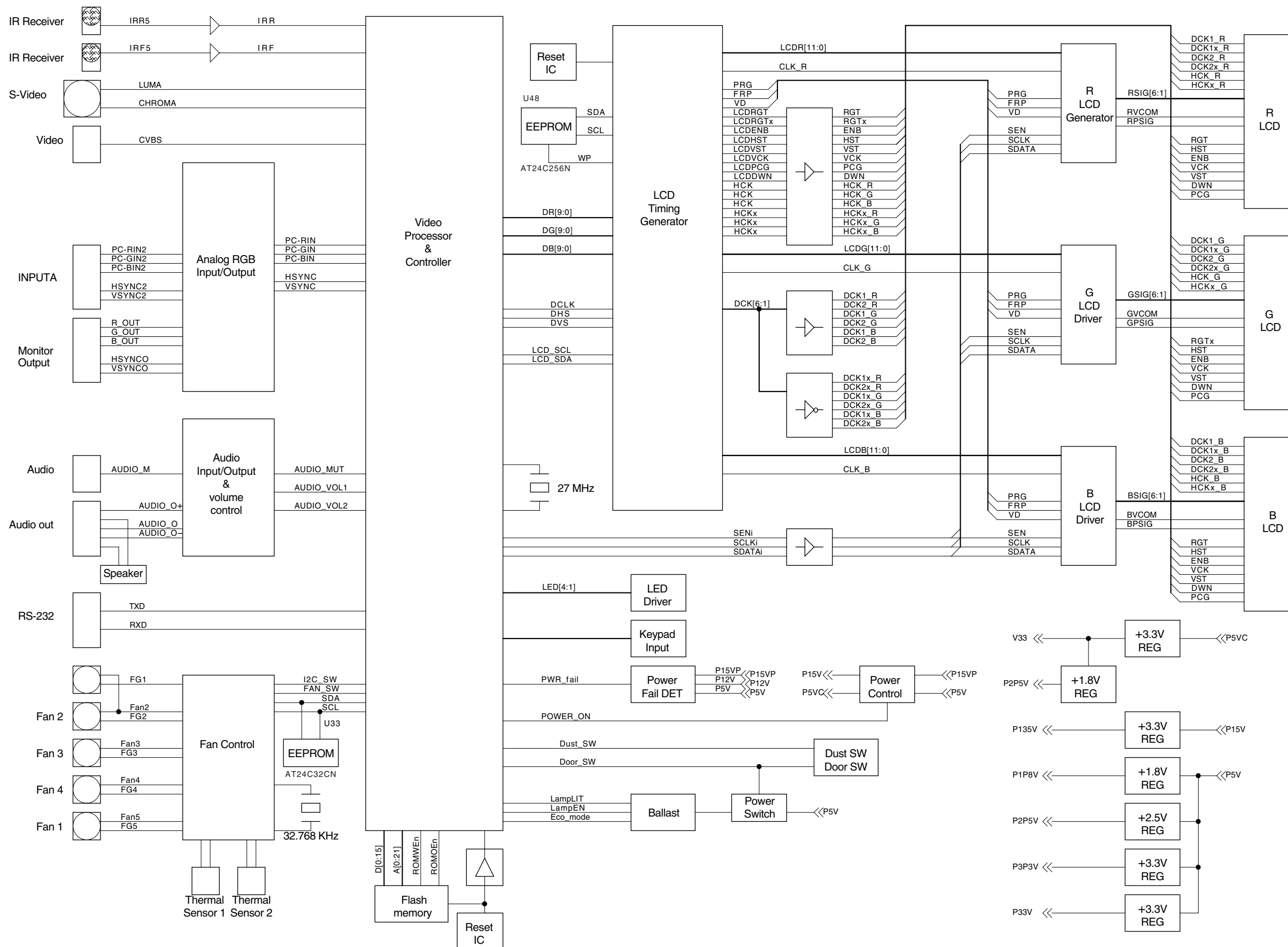
Ref. No. or Q'ty	Part No.	SP Description
1pc	1-479-775-12	s CARD COMMANDER
1pc	1-832-428-11	s CABLE SINGAL VGA
1pc	9-885-118-30	s BAG CARRY E08X SONY
1pc	3-293-835-03	s CD MANUAL WW E08 E08XJR (EXCEPT CH/VPL-EX5U)
1pc	3-293-836-02	s MANUAL QUICK REF WW E08 E08XJR (EXCEPT CH/VPL-EX5U) (JAPANESE, ENGLISH, FRENCH, SPANISH, GERMAN, ITALIAN, SIMPLIFIED CHINESE)
1pc	3-293-838-71	s MANUAL INSTRUCTIONS (CH)
1pc	3-870-419-01	s MANUAL INSTRUCTIONS (E08XU) (VPL-EX5U)
1pc	3-877-599-11	s MANUAL QUICK REF (E08XU) (VPL-EX5U)
1pc	△ 1-783-795-64	s CORD SET, POWER (J)
1pc	△ 1-833-570-11	s POWER-SUPPLY CORD (CH)

4-5. Optional Fixtures

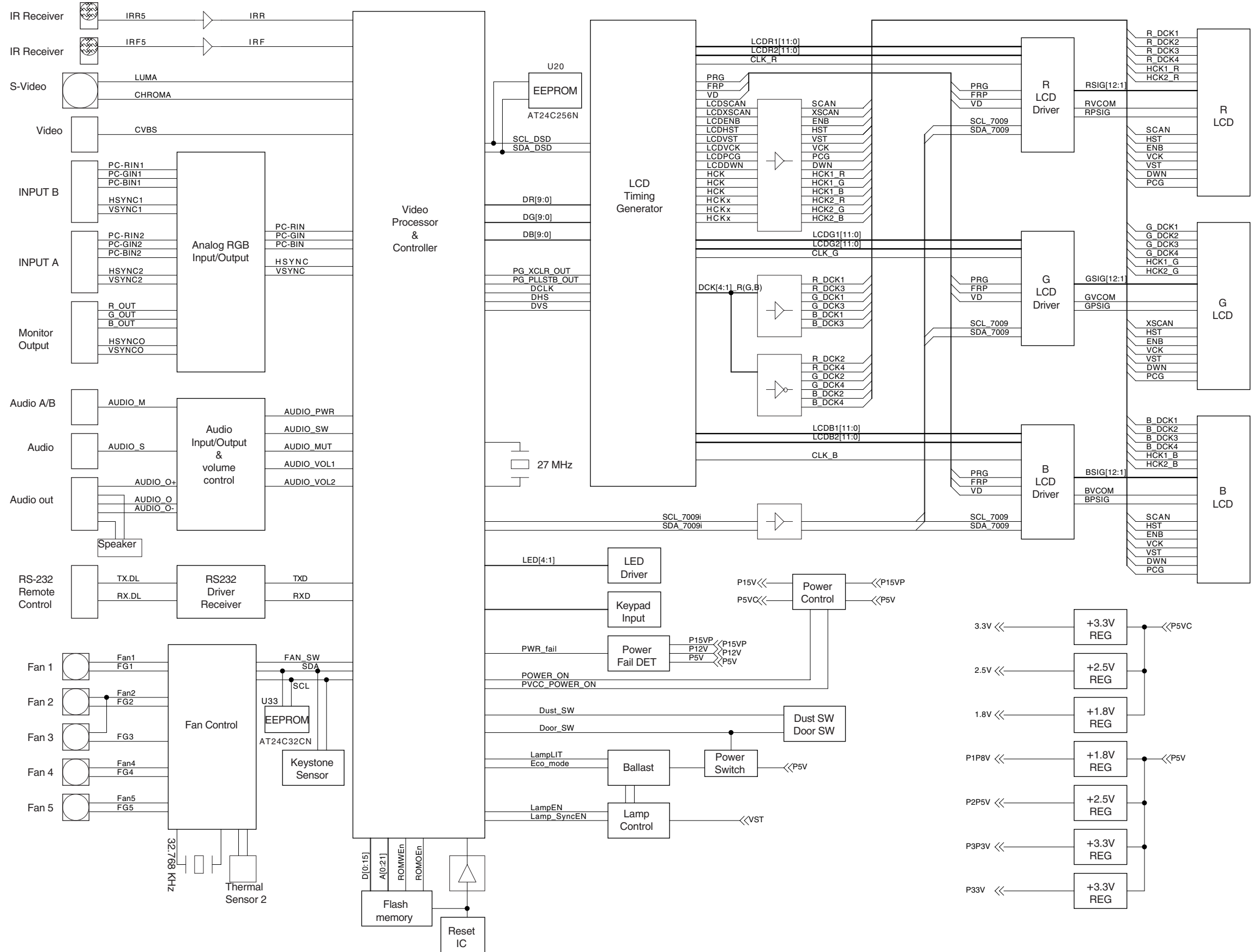
Ref. No. or Q'ty	Part No.	SP Description
1pc	9-885-122-51	s PCBA MOTOR TEST BD E08S MI

Section 5 Block Diagrams

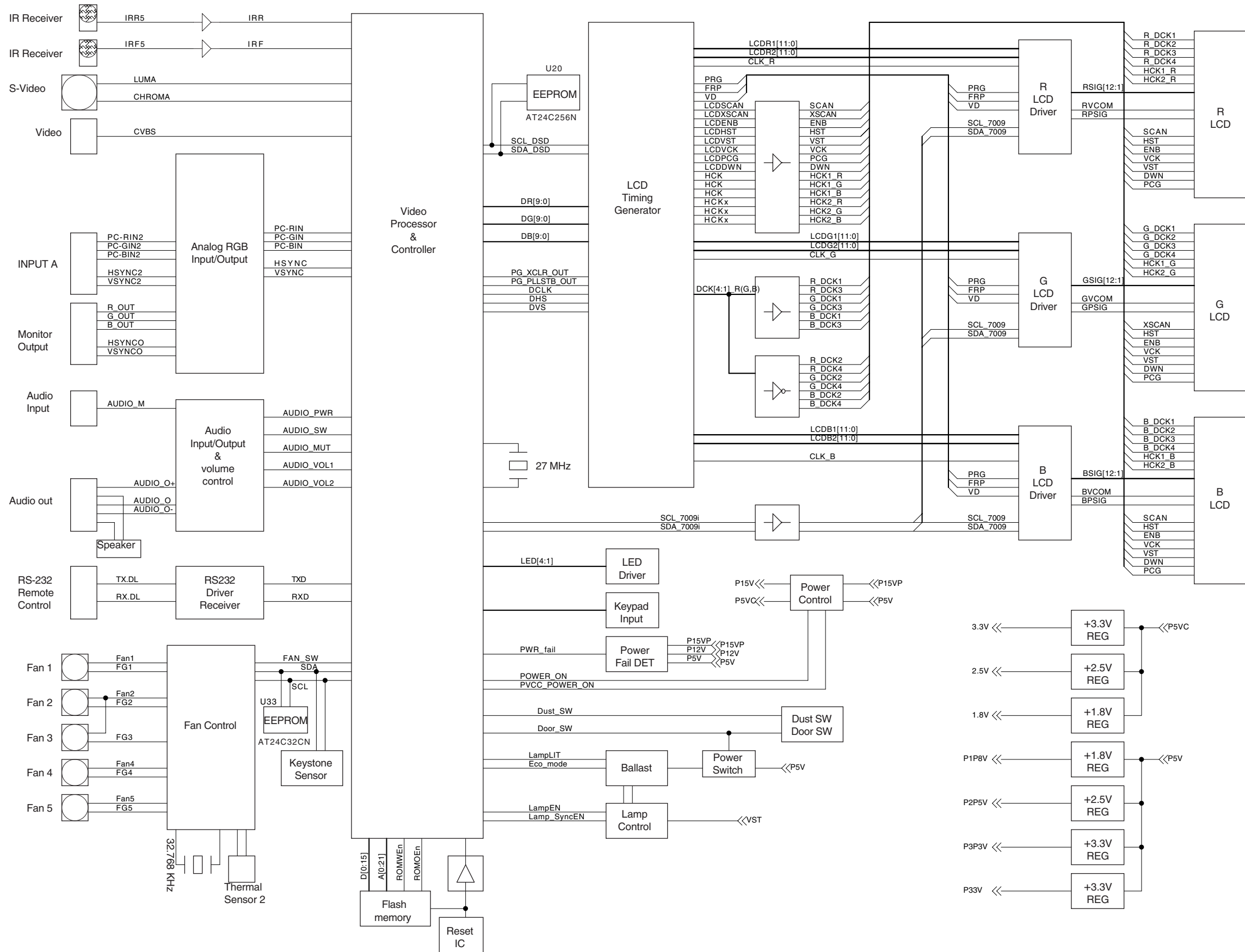
VPL-ES5



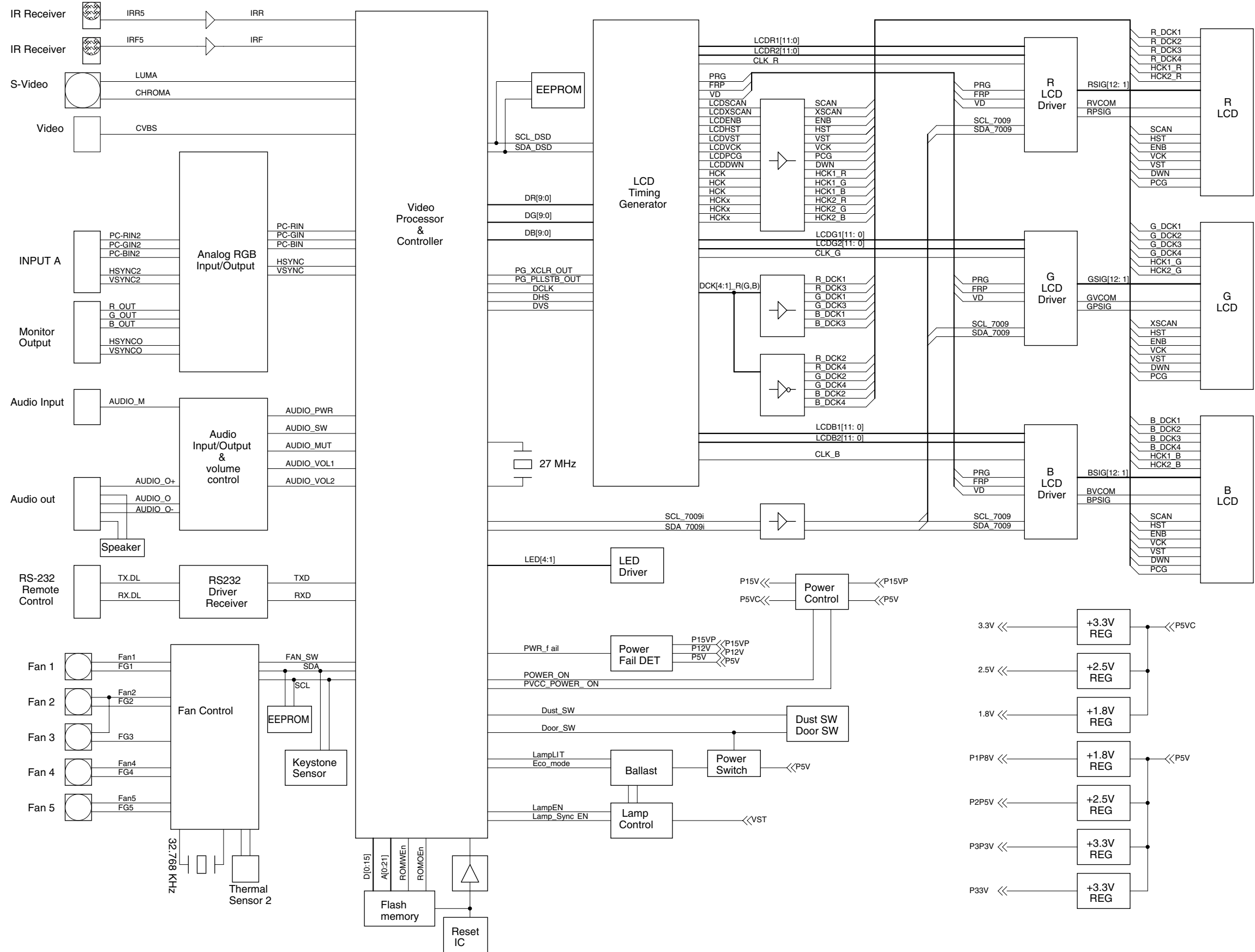
VPL-EX50



VPL-EX5



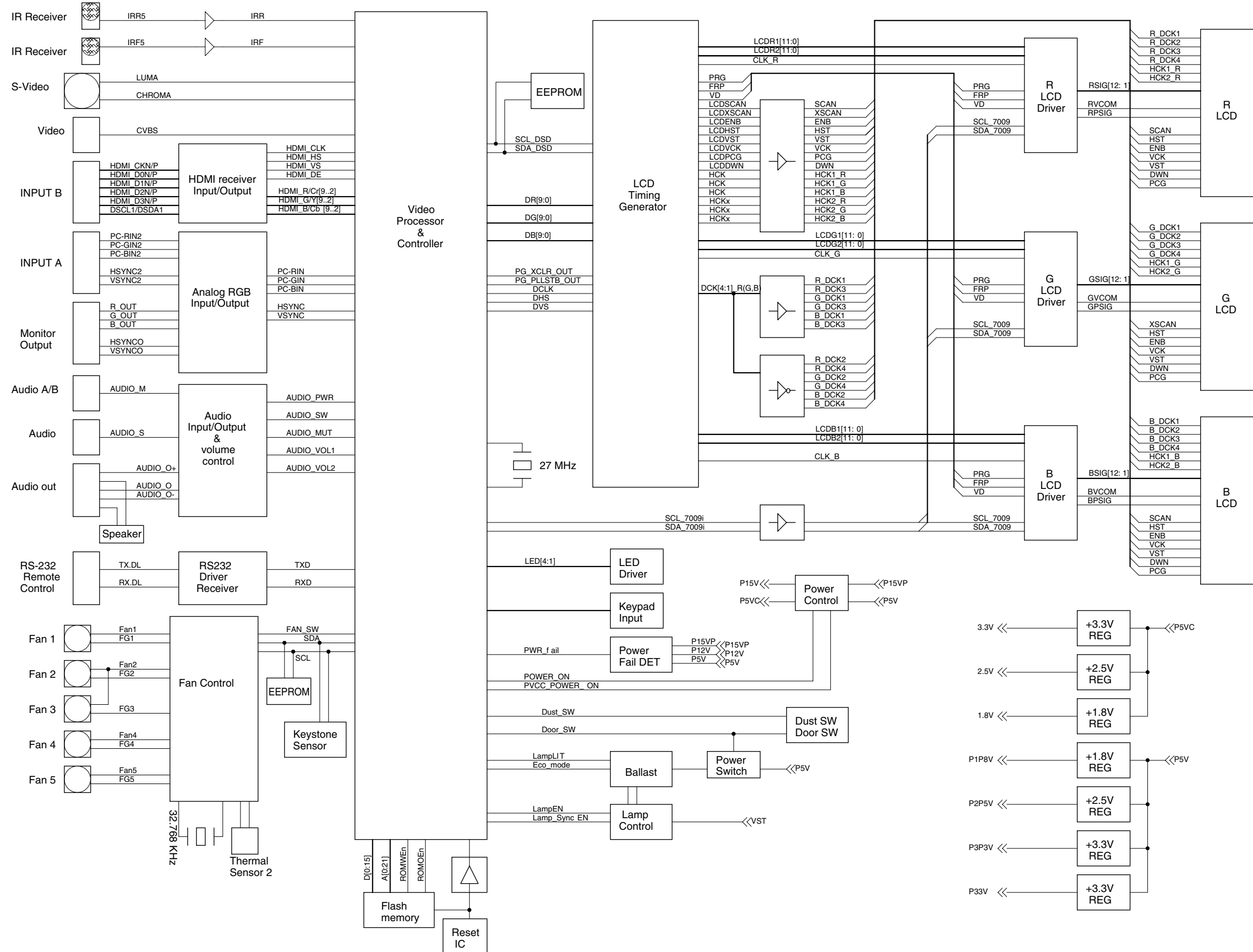
VPL-EX5U



Overall (VPL-EX5U)

Overall (VPL-EX5U)

VPL-EW5



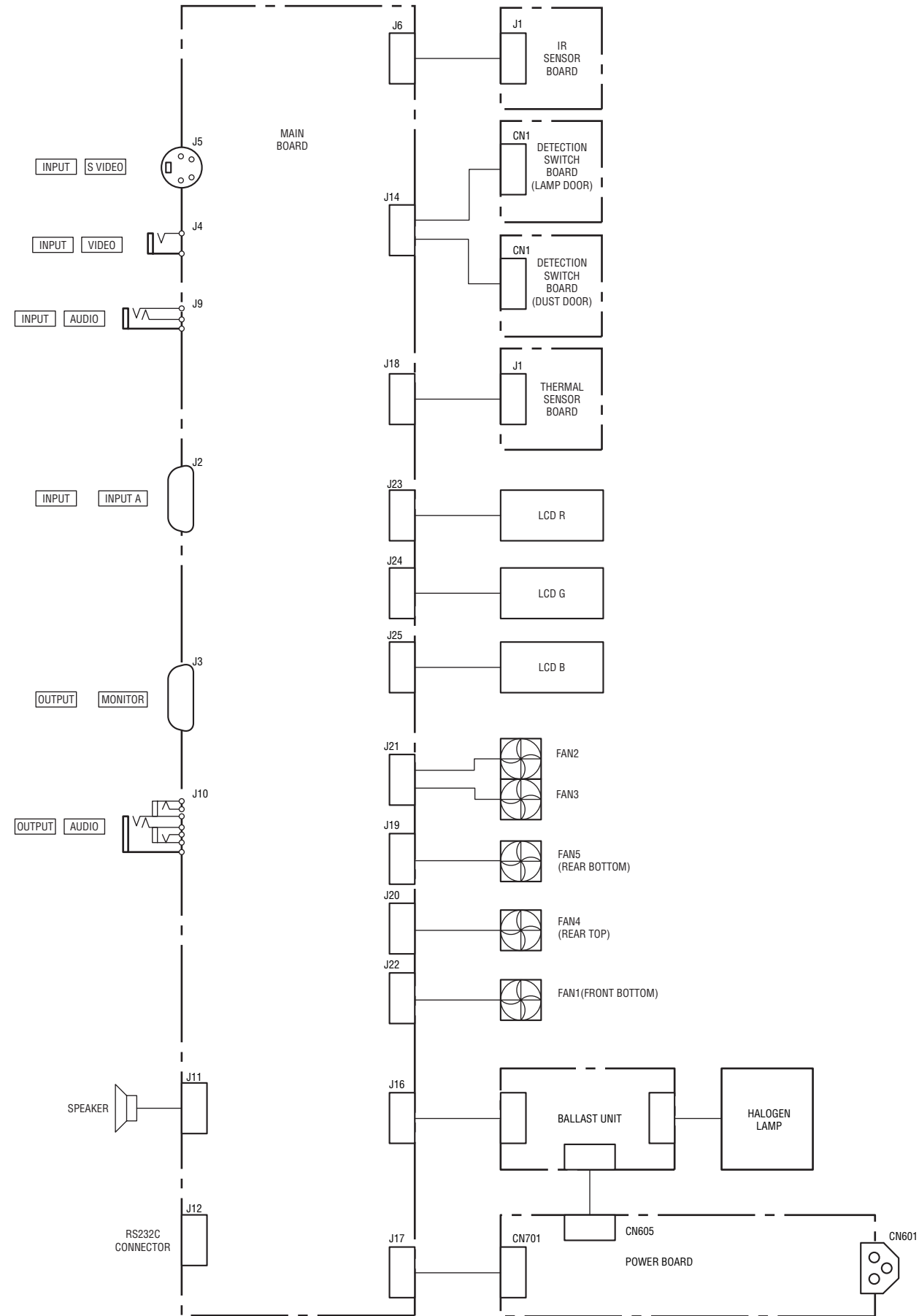
**Section 6
Diagrams**

6-1. Frame Schematic Diagrams

VPL-ES5

Frame (VPL-ES5)

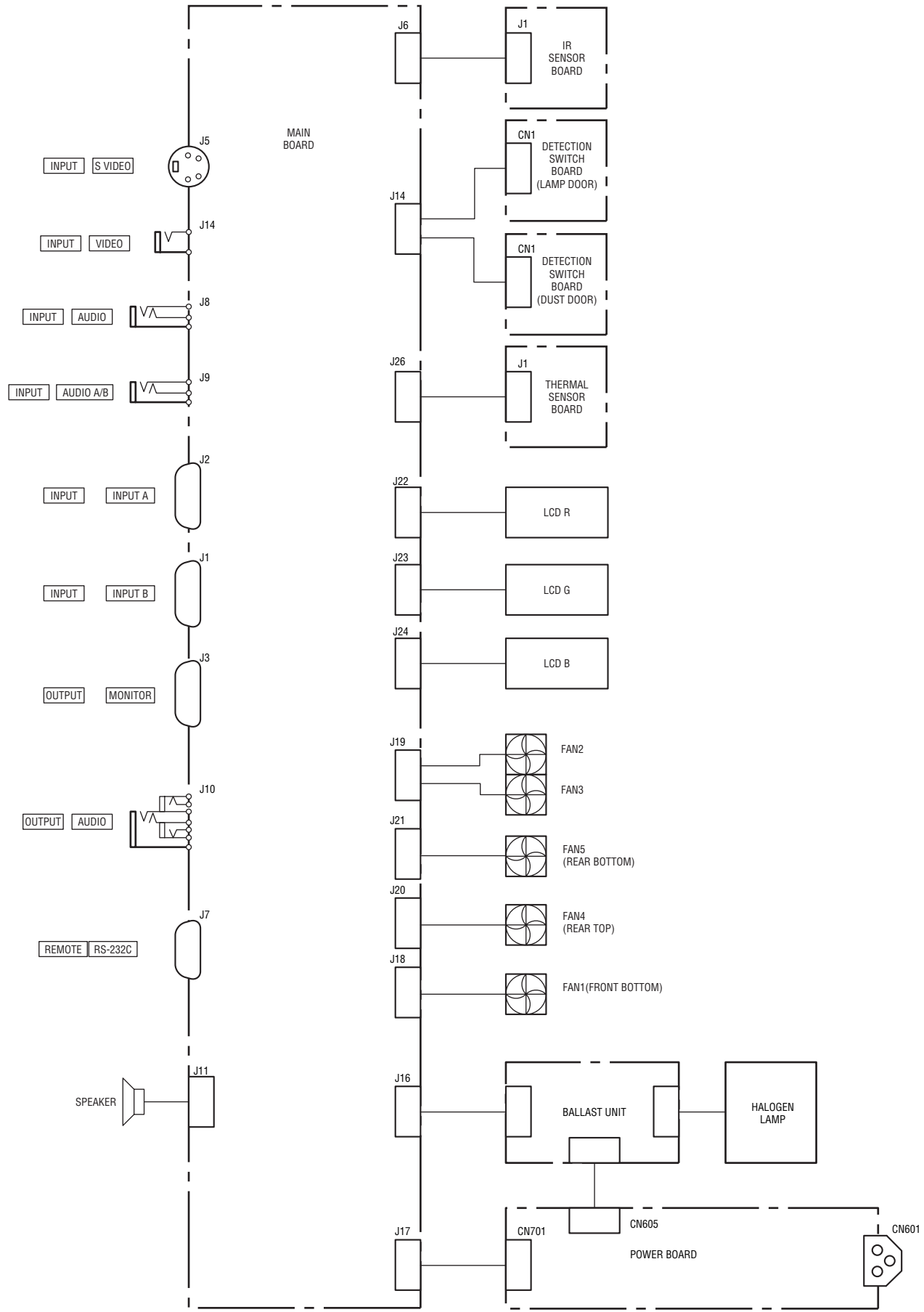
Frame (VPL-ES5)



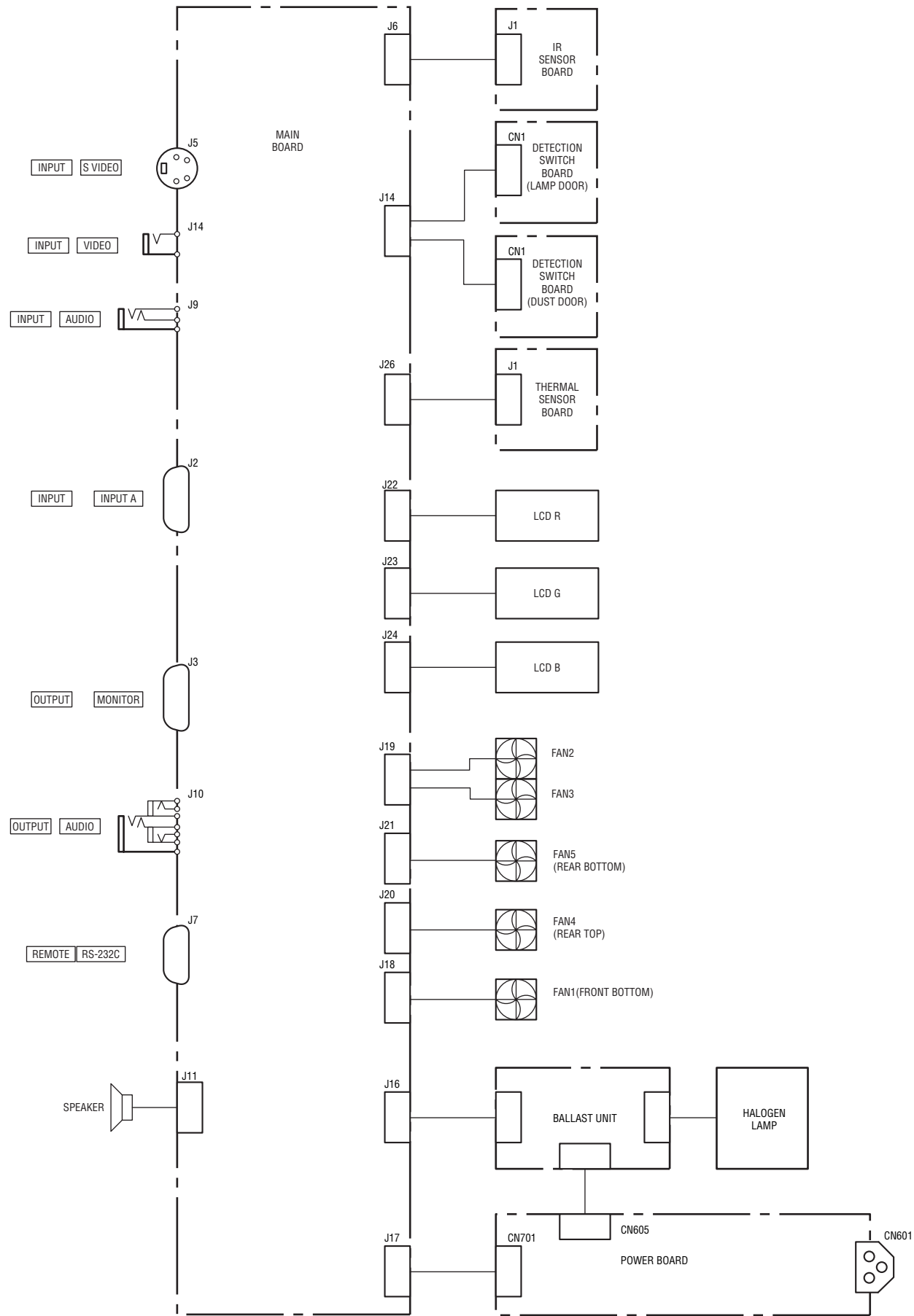
1
2
3
4
5

Frame (VPL-EX50) Frame (VPL-EX50)

VPL-EX50



VPL-EX5/EX5U



1

2

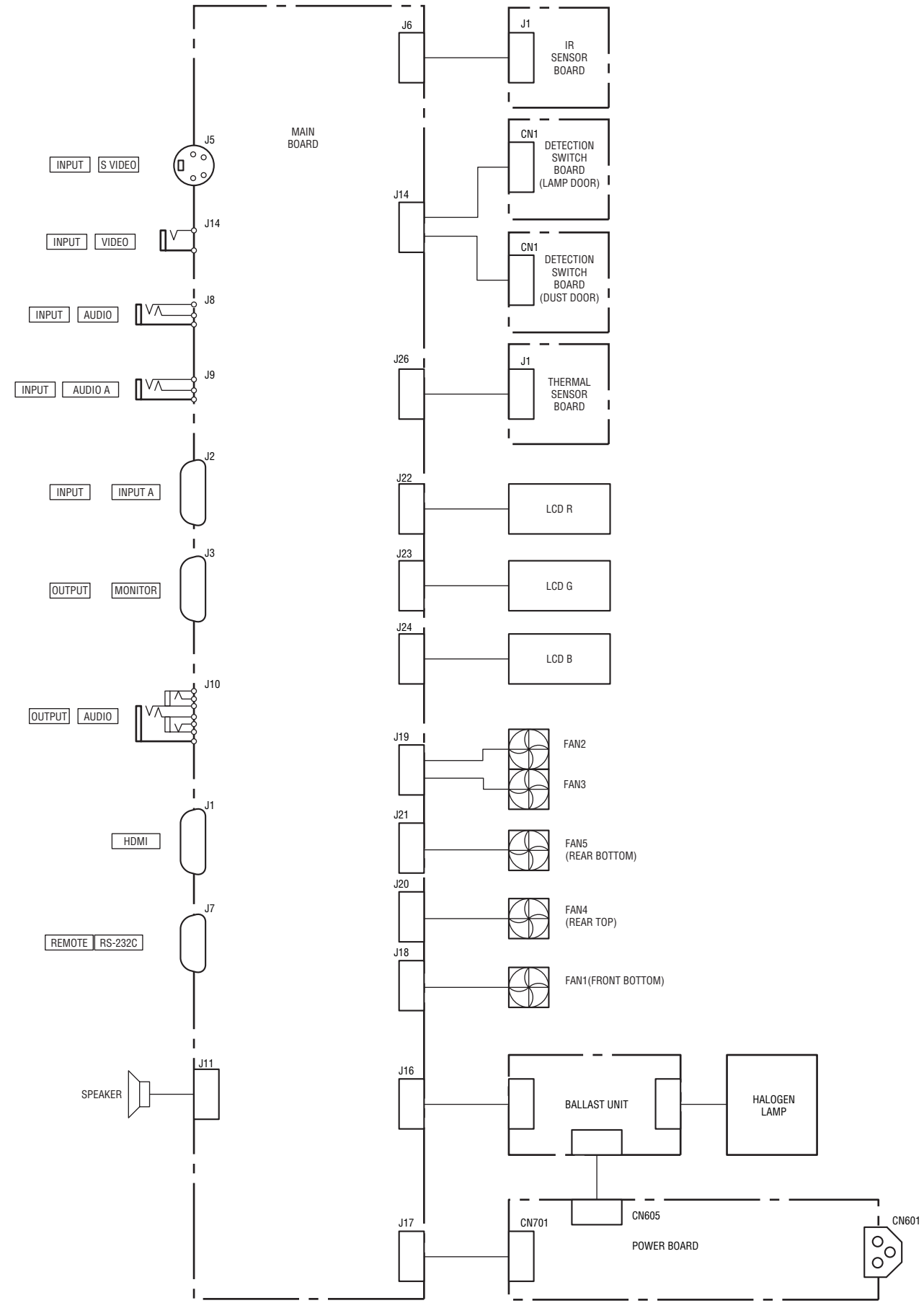
3

4

5

Frame (VPL-EW5) Frame (VPL-EW5)

VPL-EW5



6-4

6-4

A

B

C

D

E

F

G

H

VPL-ES5 (SY)
VPL-ES5 (CH)
VPL-EX5 (SY)
VPL-EX5 (CH)
VPL-EX50 (SY)
VPL-EX50 (CH)
VPL-EX5U (SYY)
VPL-EW5 (SY)
VPL-EW5 (CH) E
9-883-651-02

Sony EMCS Corporation
Ichinomiya Tec

English
2008DR16-1
©2008