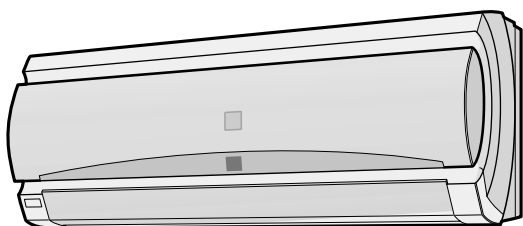
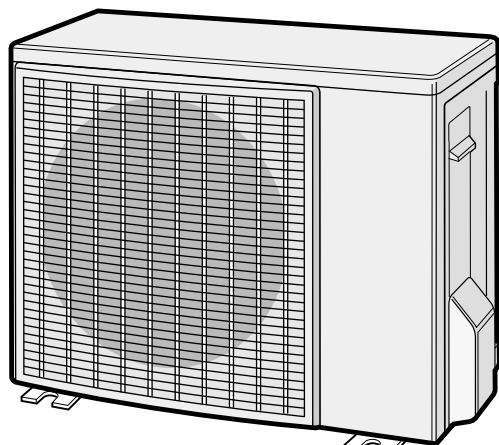


SHARP SERVICE MANUAL



(INDOOR UNIT)



(OUTDOOR UNIT)

MODEL

SPLIT TYPE ROOM AIR CONDITIONERS

INDOOR UNIT

MODELS **AY-XP07ER**

AY-XP09ER

AY-XP12ER

OUTDOOR UNIT

AE-X07ER

AE-X09ER

AE-X12ER

In the interests of user-safety (Required by safety regulations in some countries) the set should be restored to its original condition and only parts identical to those specified should be used.

TABLE OF CONTENTS

| | Page |
|---|------|
| SPECIFICATIONS | 2 |
| EXTERNAL DIMENSIONS | 3 |
| WIRING DIAGRAMS | 4 |
| ELECTRICAL PARTS | 5 |
| REFRIGERATION CYCLE | 6 |
| PERFORMANCE CURVES | 7 |
| REPLACEMENT PARTS LIST | |
| AY-XP07ER / AY-XP09ER / AY-XP12ER | 8 |
| AE-X07ER / AE-X09ER / AE-X12ER | 11 |

SPECIFICATIONS

| ITEMS | MODEL | INDOOR UNIT | OUTDOOR UNIT | INDOOR UNIT | OUTDOOR UNIT | INDOOR UNIT | OUTDOOR UNIT |
|-------------------------------|----------|-----------------|--------------|-----------------|--------------|-----------------|--------------|
| | | AY-XP07ER | AE-X07ER | AY-XP09ER | AE-X09ER | AY-XP12ER | AE-X12ER |
| Cooling capacity(Min. ~ Max.) | kW | 2.1 (0.9 – 3.0) | | 2.6 (0.9 – 3.0) | | 3.5 (0.9 – 4.0) | |
| Heating capacity(Min. ~ Max.) | kW | 3.0 (0.9 – 4.0) | | 3.6 (0.9 – 5.0) | | 4.6 (0.9 – 6.0) | |
| Moisture removal(at cooling) | Liters/h | | | | | | |

Electrical data

| | | | | | | | | |
|---------------------------------|---------------------|-------|---|----|------------------|----|-------------------|----|
| Phase | | | Single | | | | | |
| Rated frequency | | Hz | 50 | | | | | |
| Rated voltage | | V | 230 | | | | | |
| Rated current ★ (Min - Max.) | Cool | A | 2.6 (0.8 – 4.6) | | 3.3 (0.8 – 4.6) | | 4.6 (0.8 – 6.4) | |
| | Heat | A | 3.7 (0.7 – 6.5) | | 4.1 (0.7 – 6.5) | | 5.2 (0.7 – 8.1) | |
| Rated input ★ (Min - Max.) | Cool | W | 510 (150 – 900) | | 650 (150 – 900) | | 960 (150 – 1400) | |
| | Heat | W | 730 (130 – 1400) | | 900 (130 – 1400) | | 1190 (130 – 1800) | |
| Power factor ★ | Cool | % | 85 | | 86 | | 91 | |
| | Heat | % | 86 | | 95 | | 99 | |
| Compressor | Type | | Hermetically sealed rotary type | | | | | |
| | Model | | 5RS092XDF | | | | | |
| | Oil charge | | 320cc (RB68A or Freol Alphc 68M) | | | | | |
| Refrigerant system | Evaporator | | Louver Fin and Grooved tube type | | | | | |
| | Condenser | | Corrugate Fin and Grooved tube type | | | | | |
| | Control | | Expansion valve | | | | | |
| | Refrigerant (R410A) | | 1000g | | 1000g | | 1080g | |
| | De-Ice system | | Micro computer controled reversed systems | | | | | |
| Noise level (at cooling) | High | dB(A) | 38 | 46 | 43 | 48 | 45 | 49 |
| | Low | dB(A) | 32 | – | 34 | – | 38 | – |
| | Soft | dB(A) | 26 | – | 28 | – | 31 | – |

Fan system

| | | | | | | | | |
|-----------------------------------|------|----------------------|----------------|---------------|----------------|---------------|----------------|---------------|
| Drive | | | Direct drive | | | | | |
| Air flow quantity (at cooling) | High | m ³ /min. | 7.8 | 22 | 9.9 | 22 | 11.2 | 24 |
| | Low | m ³ /min. | 6.8 | – | 7.7 | – | 9.0 | – |
| | Soft | m ³ /min. | 5.2 | – | 6.0 | – | 6.8 | – |
| Fan | | | Cross flow fan | Propeller fan | Cross flow fan | Propeller fan | Cross flow fan | Propeller fan |

Connections

| | | | | | | | |
|-----------------------------------|--|--|------------|--|--|------------|--|
| Refrigerant coupling | | | Flare type | | | | |
| Refrigerant tube size Gas, Liquid | | | 3/8", 1/4" | | | 1/2", 1/4" | |
| Drain piping mm | | | O.D ø 18 | | | | |

Others

| | | | | | | | | |
|----------------|--------|----|-------------------------------|-----|-----|-----|-----|-----|
| Safety device | | | Compressor: Thermal protector | | | | | |
| | | | Fan motors: Thermal fuse | | | | | |
| | | | Fuse, Micro computer control | | | | | |
| Air filters | | | Polypropylene net (Washable) | | | | | |
| Net dimensions | Width | mm | 810 | 730 | 810 | 730 | 810 | 780 |
| | Height | mm | 285 | 540 | 285 | 540 | 285 | 540 |
| | Depth | mm | 240 | 250 | 240 | 250 | 240 | 265 |
| Net weight | | kg | 11 | 36 | 11 | 36 | 11 | 37 |

Note: The condition of star " ★ " marked item are 'ISO5151' : 1994(E), condition T1.

EXTERNAL DIMENSIONS

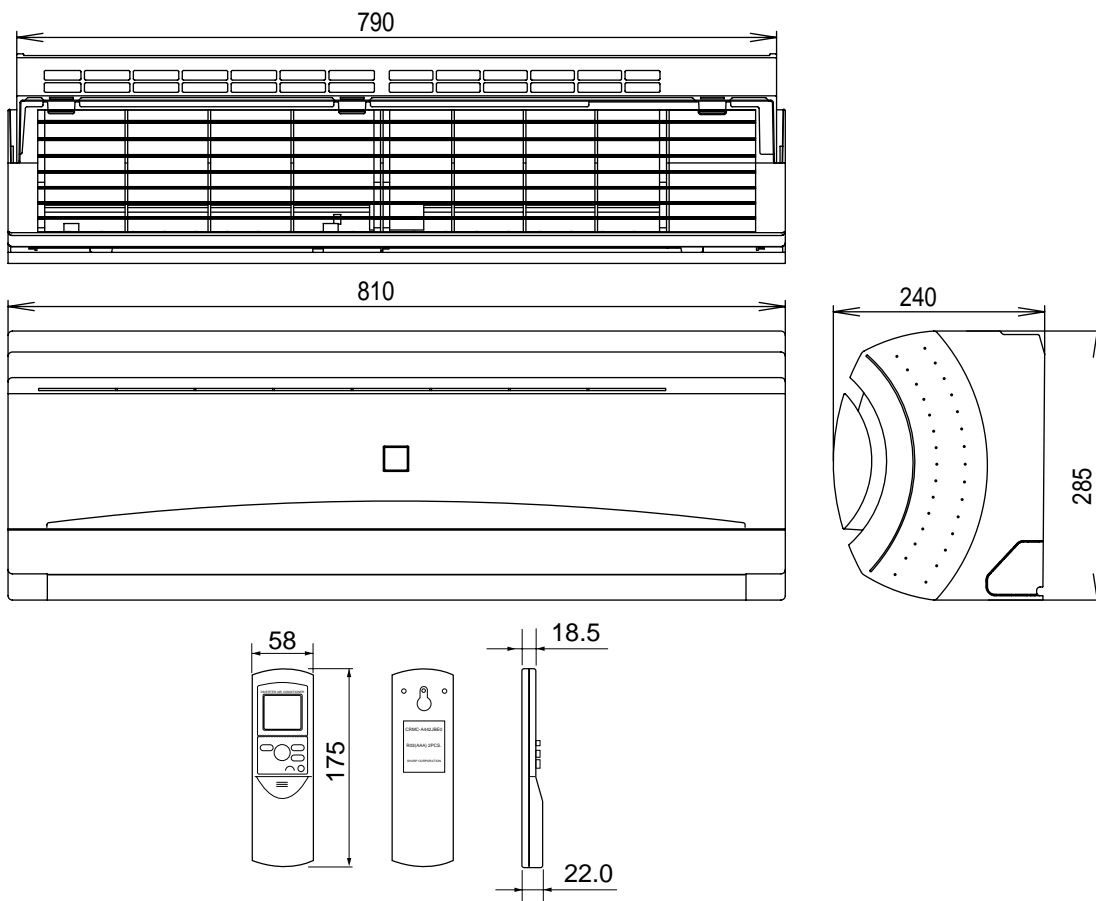


Figure E-1. INDOOR UNIT

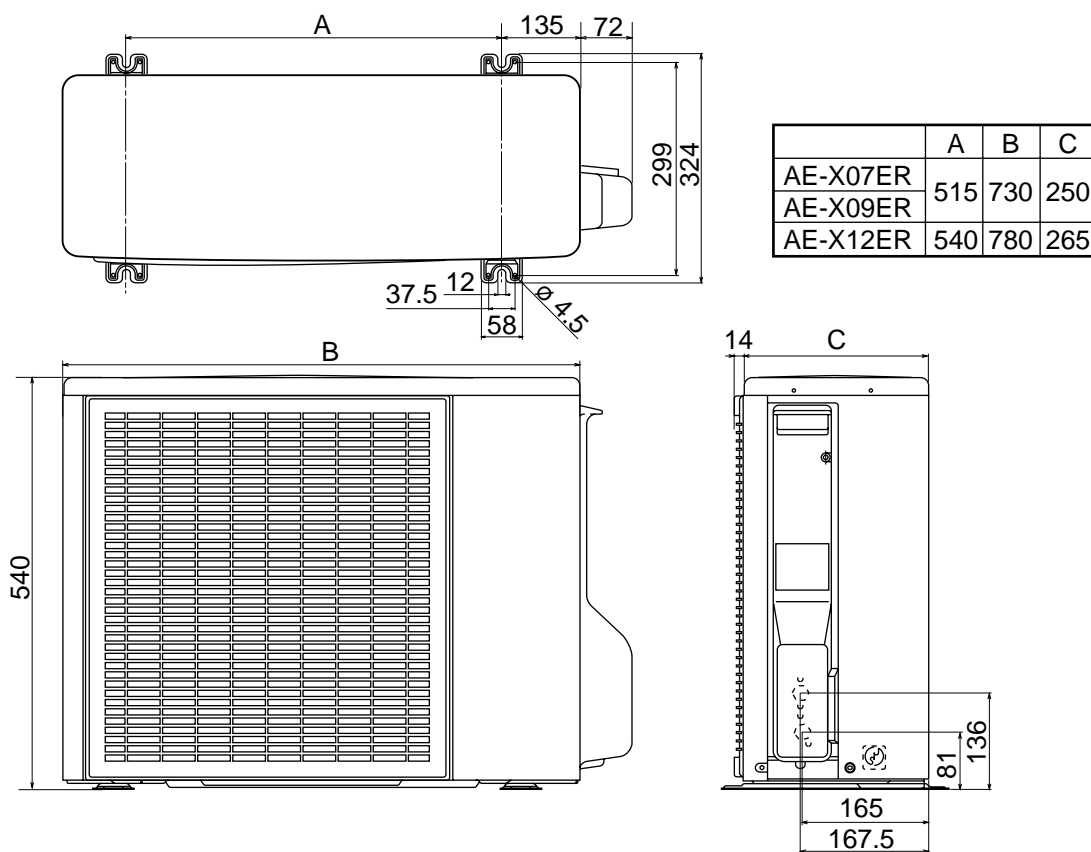


Figure E-2. OUTDOOR UNIT

WIRING DIAGRAMS

LED INDICATION FOR SELF-DIAGNOSIS

| Temperature Indicator Blinking No. | Abnormal contents |
|------------------------------------|---|
| 1 | Short circuit of the Thermistor |
| 2 | Overheat error (compressor and cycle) |
| 5 | Open circuit of the Thermistor |
| 6 | Abnormal DC current |
| 7 | Abnormal AC current |
| 9 | Abnormal Thermistor or four way valv |
| 11 | Abnormal outdoor fan motor |
| 13 | Rotation error of the compressor or compressor lock |
| 14 | Abnormal PAM voltage and PAM clock signal |
| 17 | Open circuit of serial signal line |
| 18 | Short circuit of serial signal line |
| 19 | Abnormal fan motor of indoor unit |

<Indication of the abnormal condition>
 LED indicator will blink, if the set is in abnormal condition.

WIRING DIAGRAM <CB878>

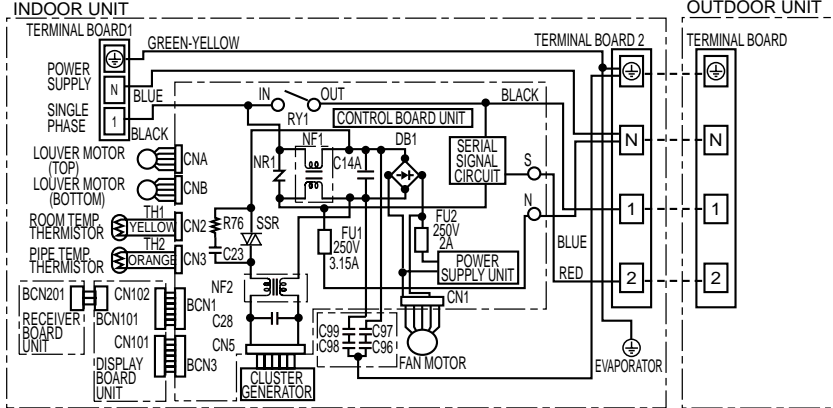
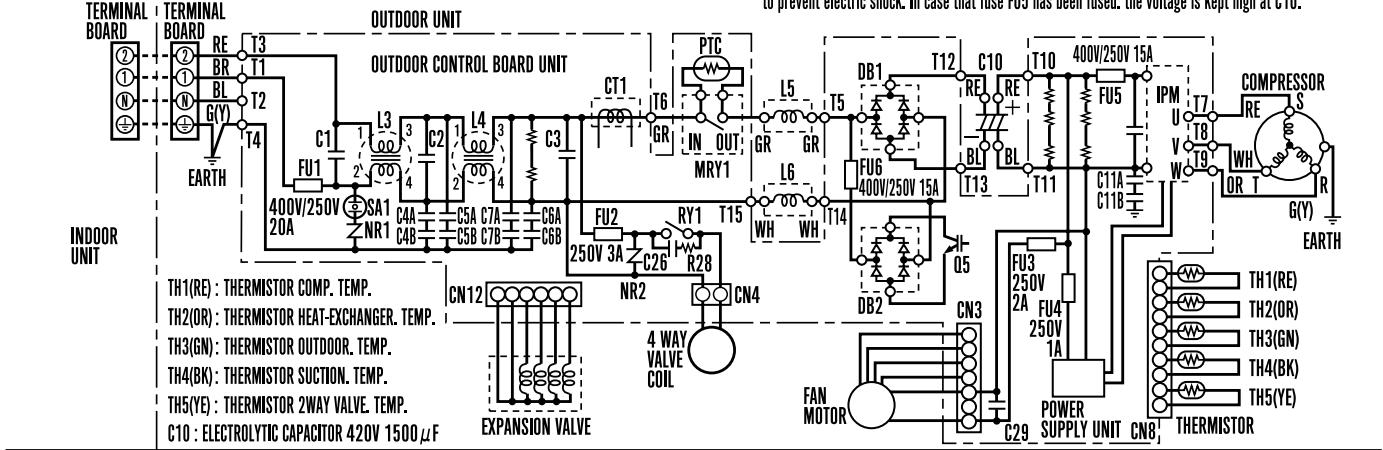


Figure W-1. Wiring Diagram for AY-XP07ER / AY-XP09ER / AY-XP12ER

WIRING DIAGRAM <CB879>

CAUTION

The voltage is high at C10 (electrolytic capacitor) on outdoor unit. For mentenance discharge at C10 to prevent electric shock. In case that fuse FU5 has been fused, the voltage is kept high at C10.




LED INDICATION SELF-DIAGNOSIS ON OUTDOOR UNIT


| No. | LED Indication pattern | Abnormal comments |
|-----|------------------------|---------------------------------------|
| | ○ | Normal |
| 1 | ● | Abnormal signal line |
| 2 | ○ × 1 time | Short circuit of the Thermistor |
| 3 | ○ × 2 times | Overheat error (compressor and cycle) |
| 4 | ○ × 5 times | Open circuit of the Thermistor |
| 5 | ○ × 6 times | Abnormal DC current |
| 6 | ○ × 7 times | Abnormal AC current |

| No. | LED Indication pattern | Abnormal comments |
|-----|------------------------|---|
| 7 | ○ × 9 times | Abnormal Thermistor or four way valve |
| 8 | ○ × 11 times | Abnormal outdoor fan motor |
| 9 | ○ × 13 times | Rotation error of the compressor or compressor lock |
| 10 | ○ × 14 times | Abnormal PAM voltage and PAM clock signal |

| LED BLINKING | |
|--------------|---------------------------------------|
| ● | LED turns on |
| ○ | Slow flashing (1 time for 1 second) |
| ○ | Quick flashing (3 times for 1 second) |

Example : No.3 Overheat error (Compressor and cycle)

on 

off 

⚠ DANGER-HIGH VOLTAGE

The micro computer's GND line which control the thermistor, etc., share the same line of 280V line. Do not touch the control circuit components as it may result in electrical shock hazard.

Do not earth oscilloscope, etc., as it may become damaged.

Figure W-2. Wiring Diagram for AE-X07ER / AE-X09ER / AE-X12ER

ELECTRICAL PARTS

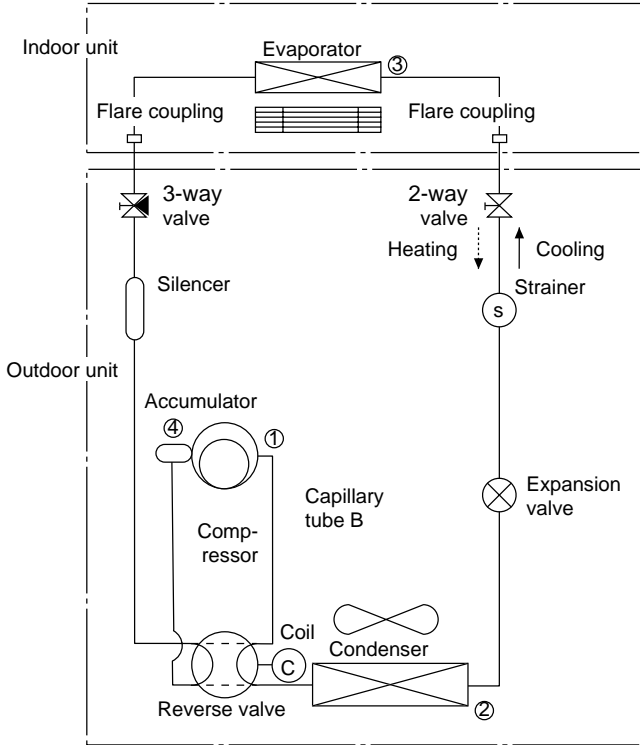
For Model AY-XP07ER / AY-XP09ER / AY-XP12ER

| DESCRIPTION | MODEL | REMARKS |
|----------------------------|--------|-----------------------------|
| Indoor fan motor | MLB084 | DC Motor |
| Indoor fan motor capacitor | - | - |
| Transformer | - | - |
| FUSE1 | - | QFS-GA052JBZZ (250V, 3.15A) |
| FUSE2 | - | QFS-GA051JBZZ (250V, 2A) |

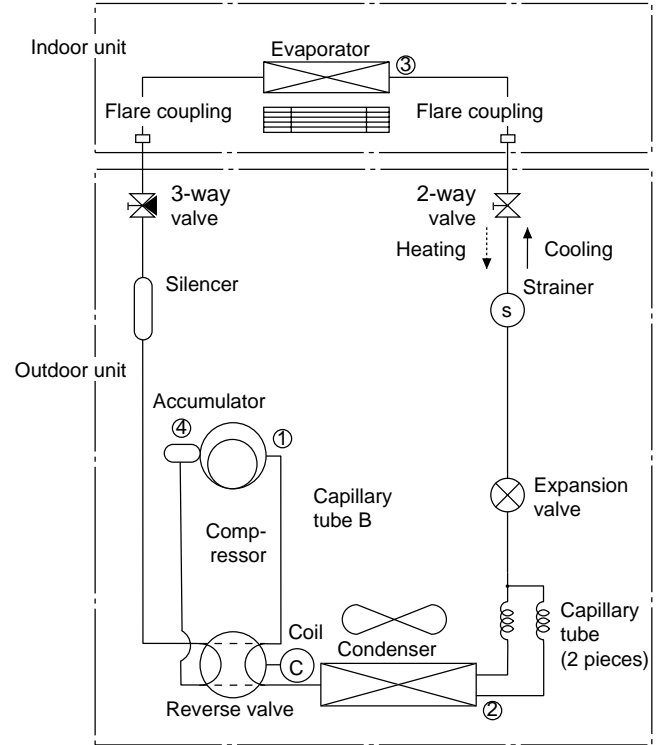
For Model AE-X07ER / AE-X09ER / AE-X12ER

| DESCRIPTION | MODEL | REMARKS |
|-----------------------------|-----------|----------------------------|
| Compressor | 5RS092XDF | D.C. brush-less motor |
| Outdoor fan motor | ML-A902 | DC Motor |
| Outdoor fan motor capacitor | - | - |
| WPE1 | - | QFS-GA050JBZZ(250V, 1A) |
| WPE101 | - | QFS-GA051JBE0(250V, 2A) |
| WPE3 | - | QFS-GA052JBZZ(250V, 3.15A) |
| WPE5 | - | QFS-GA065JBZZ(400V, 20A) |
| | - | QFS-GA066JBZZ(400V, 15A) |

REFRIGERATION CYCLE



Flow for Refrigerant for AY-XP07ER / AY-XP09ER



Flow for Refrigerant for AY-XP12ER

Standard conditions:

AY-XP07ER / AY-XP09ER / AY-XP12ER

※ REFRIGERANT PIPE LENGTH 7.5m

| | Indoor side | | Outdoor side | |
|---------|---------------------|-----------------------|---------------------|-----------------------|
| | Dry-bulb Temp. (°C) | Relative Humidity (%) | Dry-bulb Temp. (°C) | Relative Humidity (%) |
| Cooling | 27 | 47 | 35 | 40 |
| Heating | 20 | — | 7 | 87 |

Temperature at each part and pressure in 3-way valve

| Model | AY-XP07ER | | AY-XP09ER | | AY-XP12ER | |
|-----------------------------|-----------|---------|-----------|---------|-----------|---------|
| | Cooling | Heating | Cooling | Heating | Cooling | Heating |
| ① | 72 | 78 | 72 | 78 | 74 | 80 |
| ② | 40 | 1 | 40 | 1 | 42 | 2 |
| ③ | 15 | 28 | 15 | 28 | 14 | 30 |
| ④ | 16 | 2 | 16 | 2 | 14 | 2 |
| 3-way valve pressure (MPaG) | 1.00 | 2.60 | 1.00 | 2.60 | 1.00 | 2.60 |

Dimension of Capillary tube

| Model | AY-XP12ER | | |
|----------------|-----------|------|-----|
| | O.D | I.D | L |
| Capillary tube | ø2.7 | ø1.7 | 300 |

PERFORMANCE CURVES

- NOTE: 1) Indoor fan speed: Hi
 2) Vertical adjustment louver "45°", Horizontal adjustment louver "front"
 3) Indoor air temp. : Cooling 27°C, Heating 20°C
 4) Power source : 230V, 50Hz

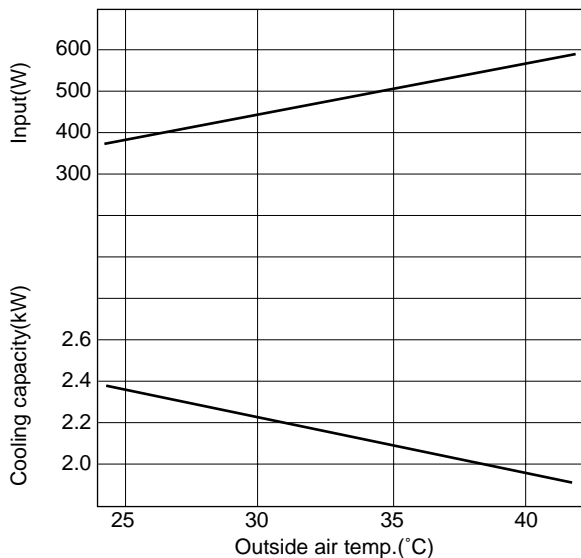


Figure P-1. At Cooling for AY-XP07ER

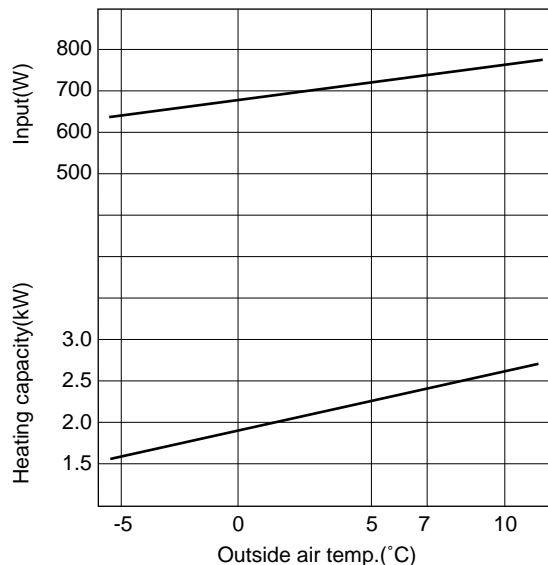


Figure P-2. At Heating for AY-XP07ER

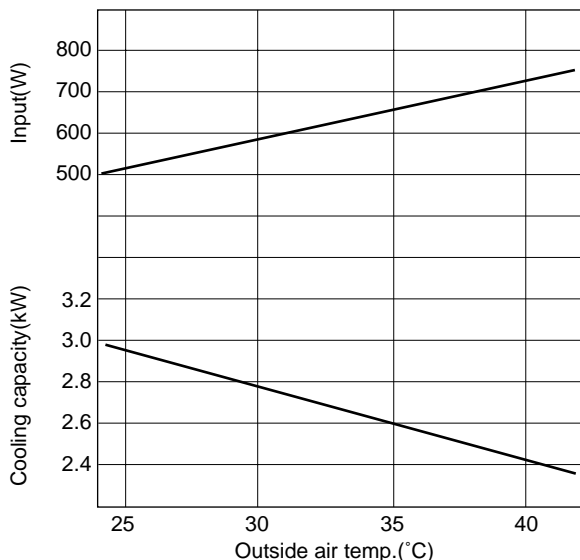


Figure P-3. At Cooling for AY-XP09ER

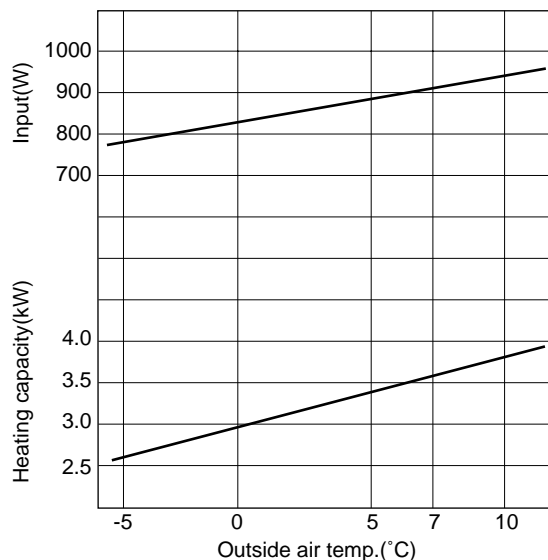


Figure P-4. At Heating for AY-XP09ER

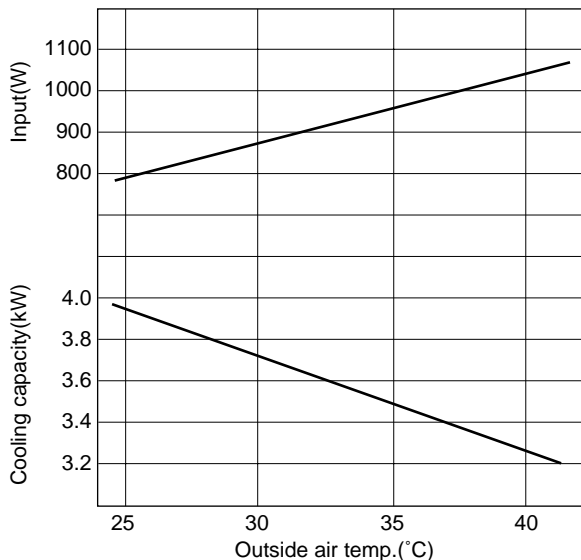


Figure P-5. At Cooling for AY-XP12ER

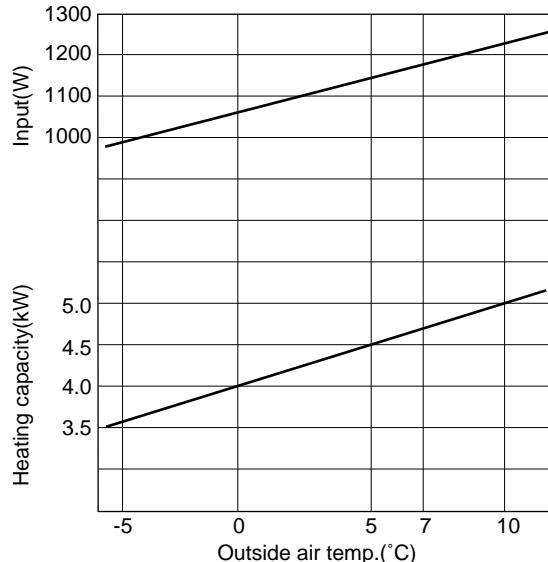


Figure P-6. At Heating for AY-XP12ER

REPLACEMENT PARTS LIST (AY-XP07ER / AY-XP09ER / AY-XP12ER)

| REF. NO. | PART NO. | DESCRIPTION | Q'TY | CODE |
|-------------------------------|---------------|--------------------------------|------|------|
| CONTROLBOX PARTS | | | | |
| 1- 1 | CMOT-A433JBKZ | Fan motor sub ass'y | 1 | BK |
| 1- 2 | DSGY-B540JBKZ | Control board unit [AYXP07ER] | 1 | BU |
| 1- 2 | DSGY-B532JBKZ | Control board unit [AYXP09ER] | 1 | BU |
| 1- 2 | DSGY-B550JBKZ | Control board ass'y [AYXP12ER] | 1 | BU |
| 1- 2-1 | QFS-GA051JBZZ | Fuse | 1 | AD |
| 1- 2-2 | QFS-GA052JBZZ | Fuse | 1 | AD |
| 1- 3 | QACC-A298JBZZ | Power supply cord | 1 | |
| 1- 4 | QTANZA001JBZZ | Terminal board | 1 | AQ |
| 1- 5 | QTANZA018JBZZ | Terminal board | 1 | |
| 1- 6 | RH-HXA014JBZZ | Thermister ass'y | 1 | AG |
| 1- 7 | RTHM-A292JBEO | Thermistor | 1 | AH |
| 1- 8 | QW-VZE403JBZZ | Lead wire | 1 | AH |
| 1- 9 | RMOT-A110JBZZ | Louver motor | 1 | AN |
| 1- 10 | RMOT-A108JBEZ | Louver motor-b | 1 | AN |
| 1- 11 | CKITTA013JBKZ | Plasmacluster unit | 1 | AZ |
| CABINET AND UNIT PARTS | | | | |
| 2- 1 | CHLD-A050JBK0 | Bearing ass'y | 1 | AG |
| 2- 2 | PGUMMA206JBE0 | Motor cushion | 1 | |
| 2- 3 | PGUMMA207JBE0 | Motor cushion | 1 | |
| 2- 4 | DCHS-A502JBKZ | Cabinet ass'y | 1 | BA |
| 2- 5 | PGID-A108JBFA | Guide | 1 | AL |
| 2- 6 | NFANCA087JBKZ | Crossflow fan | 1 | BA |
| 2- 7 | PCOV-A845JBFZ | Motor cover | 1 | AG |
| 2- 8 | CCOV-A093JBKZ | Louver cover ass'y | 1 | |
| 2- 8-1 | FCOV-A155JBFA | Cover | 1 | |
| 2- 8-2 | MHNG-A031JBFA | Cover hinge | 1 | AC |
| 2- 8-3 | PCOV-B005JBFA | Louver cover | 1 | AF |
| 2- 9 | PCOV-A849JBFZ | Side cover | 1 | AF |
| 2- 10 | PGID-A109JBFZ | Guide | 2 | AF |
| 2- 11 | CLOV-A054JBKZ | Direct.louver ass'y | 1 | AN |
| 2- 11-1 | MLOV-A385JBFA | Air direction louver | 1 | |
| 2- 11-2 | NBRG-A030JBFA | Bearing | 1 | AB |
| 2- 11-3 | NBRG-A037JBFA | Bearing | 1 | AE |
| 2- 12 | CPNL-A485JBKZ | Cont.box cover ass'y | 1 | AQ |
| 2- 13 | FCOV-A143JBFZ | Senser cover | 1 | AD |
| 2- 14 | PCOV-A992JBFZ | Led holder | 1 | AD |
| 2- 15 | PCOV-B010JBFA | Led cover | 1 | |
| 2- 16 | LHLD-A449JBF0 | Thermistor holder | 1 | AH |
| 2- 17 | LHLD-A690JBFZ | Senser holder | 1 | BD |
| 2- 18 | PBOX-A432JBFZ | Control box | 1 | BF |
| 2- 19 | PCOV-A847JBPZ | Cont.box cover | 1 | AG |
| 2- 20 | CSRA-A577JBKZ | Drain pan ass'y | 1 | |
| 2- 20-1 | CHOS-A015JBKZ | Drain hose ass'y | 1 | |
| 2- 20-10 | MJNTPA095JBFA | Louver link | 2 | AB |
| 2- 20-11 | MLOV-A346JBFA | Vertical louver | 9 | AB |
| 2- 20-12 | MLOV-A347JBFA | Vertical louver | 1 | AB |
| 2- 20-13 | MLOV-A386JBTA | Air flow louver | 1 | AS |
| 2- 20-14 | NBRG-A028JBFA | Bearing | 1 | AB |
| 2- 20-15 | NBRG-A031JBFA | Bearing | 1 | AC |
| 2- 20-16 | NBRG-A038JBFA | Bearing c | 1 | AC |
| 2- 20-17 | PGUMMA169JBE0 | Drain plug | 1 | AD |
| 2- 20-2 | DSRA-A258JBKZ | Drain pan sub ass'y | 1 | |
| 2- 20-3 | GGAD-A057JBTA | Wire guard | 1 | |
| 2- 20-4 | PSRA-A161JBFA | Drain pan | 1 | |
| 2- 20-5 | LHLD-A615JBFA | Louver stopper | 1 | AC |
| 2- 20-6 | LHLD-A682JBFA | Led holder | 1 | AE |
| 2- 20-7 | LHLD-A691JBFZ | Lead wire guide | 2 | AE |
| 2- 20-8 | LPFT-A144JBFZ | Dorain joint | 1 | AD |
| 2- 20-9 | LPFT-A147JBFZ | Dorain joint 1 | 1 | |

| REF. NO. | PART NO. | DESCRIPTION | Q'TY | CODE |
|----------|---------------|-----------------------|------|------|
| 2- 21 | CPNL-A486JBKZ | Open panel ass'y | 1 | BC |
| 2- 21-1 | HBDG-A144JBEA | Badge | 1 | AF |
| 2- 21-2 | HDECQA097JBRA | Display panel | 1 | AF |
| 2- 21-3 | HDECQA098JBRA | Display panel | 1 | AX |
| 2- 21-4 | HPNL-A672JBTA | Open panel | 1 | |
| 2- 21-5 | LHLD-A680JBFA | Holder | 1 | AD |
| 2- 21-6 | LHLD-A681JBFZ | Display holder | 6 | AC |
| 2- 22 | DWAK-A869JBKZ | Front panel ass'y | 1 | AS |
| 2- 22-1 | GWAK-A300JBFA | Front panel | 1 | AV |
| 2- 22-2 | TLABCB878JBRZ | Wiring diagram | 1 | AC |
| 2- 23 | DHLD-A009JBK0 | Pipe holder ass'y | 1 | AE |
| 2- 24 | LHLD-A689JBFA | Holder | 1 | AG |
| 2- 25 | LHLD-A394JBFA | Pipe holder | 1 | AD |
| 2- 26 | PCOV-A848JBFZ | Drain cover | 1 | AD |
| 2- 27 | PCOV-B006JBFA | Screw cover | 3 | AD |
| 2- 28 | PFILMA191JBEZ | Air filter | 1 | AL |
| 2- 29 | PPLTNA078JBPZ | Mounting angle | 1 | AU |
| 2- 30 | TSPC-E666JBRZ | Name badge [AYXP07ER] | 1 | |
| 2- 30 | TSPC-E651JBRZ | Name badge [AYXP09ER] | 1 | |
| 2- 30 | TSPC-E681JBRZ | Name badge [AYXP12ER] | 1 | AC |

CYCLE PARTS

| | | | | |
|------|---------------|--|---|----|
| 3- 1 | CPIPCA796JBKZ | Inlet tube ass'y [AYXP07ER] [AYXP09ER] | 1 | AX |
| 3- 1 | CPIPCA813JBKZ | Inlet tube ass'y [AYXP12ER] | 1 | |
| 3- 2 | DEVA-A189JBKZ | Evaporator ass'y | 1 | BS |
| 3- 3 | LX-NZA169JBE0 | Flare nut1/4 | 1 | AG |
| 3- 4 | PCAP-A064JBE0 | Cap 1/4 | 1 | |

ACCESSORY PARTS

| | | | | |
|-------|---------------|----------------------|---|----|
| 4- 1 | CFIL-A088JBKZ | Purify filter ass'y | 1 | AR |
| 4- 2 | CRMC-A629JBEZ | Remote control | 1 | BB |
| 4- 3 | FFZK-A178JBKZ | Screws kit | 1 | |
| 4- 4 | LHLD-A688JBFA | Cord holder | 1 | AE |
| 4- 5 | LPFT-A088JBF0 | Drain joint | 1 | AC |
| 4- 6 | SSAKHA149YDE0 | Bag | 1 | AC |
| 4- 7 | TINS-A811JBRZ | Installation manual1 | 1 | AL |
| 4- 8 | TINS-A812JBRZ | Installation manual2 | 1 | AL |
| 4- 9 | TINSEA363JBRZ | Operation manual | 1 | AS |
| 4- 10 | UBATUA027JBE0 | Battery pack | 1 | AE |

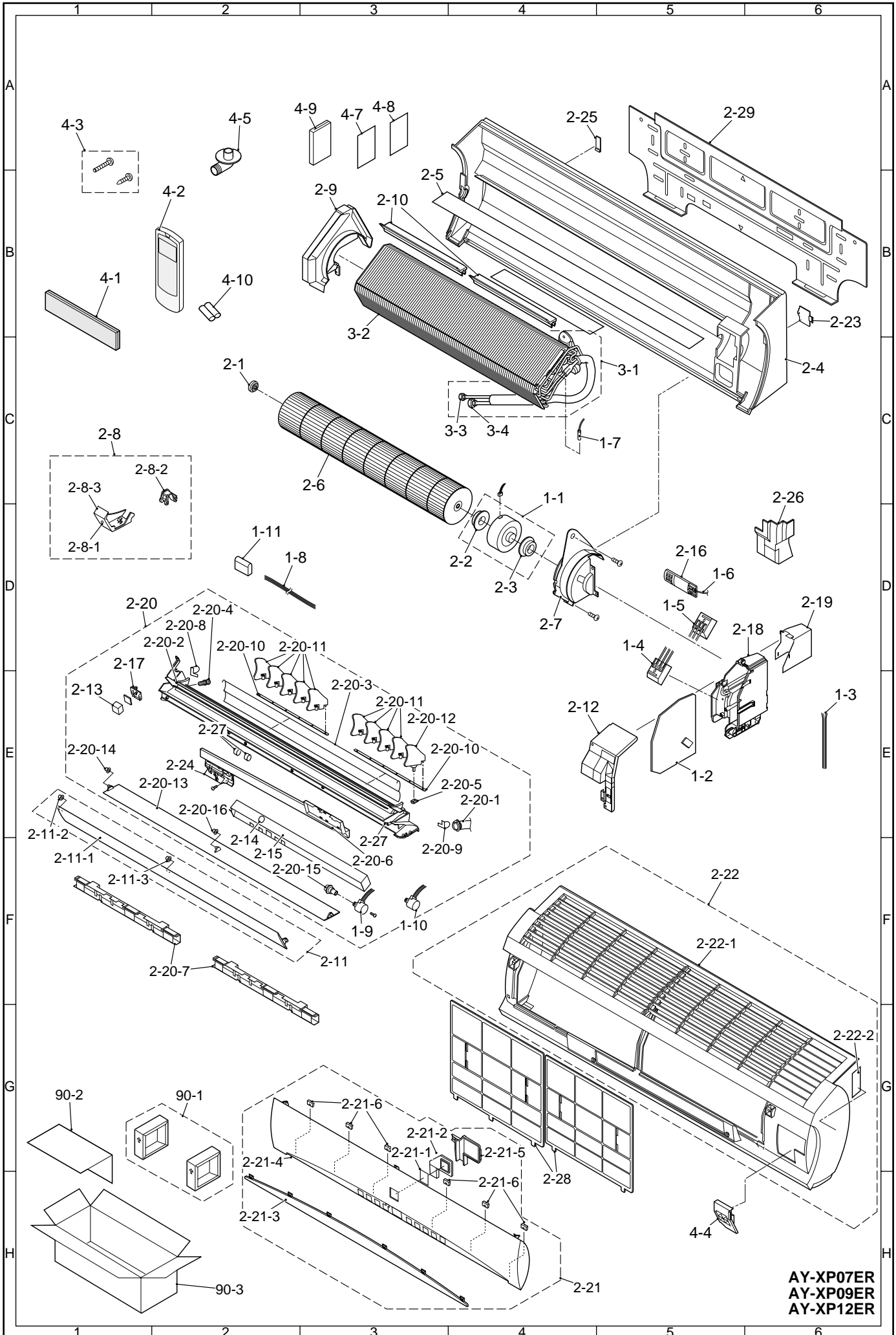
PACKING PARTS

| | | | | |
|-------|---------------|-------------------------|---|----|
| 90- 1 | CPADBA059JBKZ | Packing pad ass'y | 2 | AK |
| 90- 2 | SPADBA189JBEZ | Pad | 1 | AD |
| 90- 3 | SPAKCB549JBEZ | Packing case [AYXP07ER] | 1 | |
| 90- 3 | SPAKCB537JBEZ | Packing case [AYXP09ER] | 1 | |
| 90- 3 | SPAKCB568JBEZ | Packing case [AYXP12ER] | 1 | AR |

HOW TO ORDER REPLACEMENT PARTS

To have your order filled promptly and correctly, please furnish the following information.

1. MODEL NUMBER 2. REF. NO. 3. PART NO. 4. DESCRIPTION



AY-XP07ER
AY-XP09ER
AY-XP12ER

REPLACEMENT PARTS LIST (AE-X07ER / AE-X09ER / AE-X12ER)

| REF. NO. | PART NO. | DESCRIPTION | Q'TY | CODE |
|-------------------------------|---------------|---------------------------------------|------|------|
| CONTROLBOX PARTS | | | | |
| 1- 1 | CMOTLB078JBEZ | Fan moter | 1 | BL |
| 1- 2 | DSGY-B541JBKZ | Control board ass'y [AEX07ER] | 1 | CB |
| 1- 2 | DSGY-B531JBKZ | Control board ass'y [AEX09ER] | 1 | CB |
| 1- 2 | DSGY-B549JBKZ | Control board ass'y [AEX12ER] | 1 | CC |
| 1- 2-1 | QFS-GA050JBZZ | Fuse | 1 | AD |
| 1- 2-2 | QFS-GA051JBZZ | Fuse | 1 | AD |
| 1- 2-3 | QFS-GA052JBZZ | Fuse | 1 | AD |
| 1- 2-4 | QFS-GA058JBZZ | Fuse | 1 | AV |
| 1- 2-5 | QFS-GA059JBZZ | Fuse | 2 | AU |
| 1- 2-6 | RH-IXA694JBZZ | Ipm [AEX07ER] [AEX09ER] | 1 | BD |
| 1- 2-6 | RH-IXA732JBZZ | Ipm [AEX12ER] | 1 | BF |
| 1- 3 | QW-VZE511JBZZ | Lead wire [AEX07ER] [AEX09ER] | 1 | AM |
| 1- 3 | QW-VZE172JBZZ | Lead wire [AEX12ER] | 1 | |
| 1- 4 | RCILZA009JBZZ | Reactor | 2 | BA |
| 1- 5 | RTHM-A022JBE0 | Thermistor | 1 | AN |
| 1- 6 | QTANZA001JBZZ | Terminal board | 1 | AQ |
| 1- 7 | QW-VZE497JBZZ | Lead wire | 1 | AG |
| 1- 8 | QW-VZE498JBZZ | Lead wire | 1 | AG |
| 1- 9 | QW-VZE499JBZZ | Lead wire | 1 | AF |
| 1- 10 | RFIL-A064JBE0 | Ferrite core | 4 | AF |
| 1- 11 | RH-HXA029JBZZ | Thermistor ass'y | 1 | AX |
| CABINET AND UNIT PARTS | | | | |
| 2- 1 | LANGKA157JBPZ | Motor angle | 1 | AQ |
| 2- 2 | CCAB-A367JBKZ | Top plate ass'y [AEX07ER] [AEX09ER] | 1 | |
| 2- 2 | CCAB-A368JBKZ | Top plate ass'y [AEX12ER] | 1 | |
| 2- 3 | TLABCB879JBRZ | Wiring diagram [AEX07ER] [AEX09ER] | 1 | AC |
| 2- 3 | TLABCB879JBRZ | Wiring diagram [AEX12ER] | 1 | AC |
| 2- 4 | LX-BZA261JBEZ | Special screw | 4 | AC |
| 2- 5 | PCOV-A881JBFA | Reactor cover [AEX07ER] [AEX09ER] | 1 | AL |
| 2- 6 | LANG-A504JBYZ | Reactor angle [AEX12ER] | 1 | AP |
| 2- 7 | CFTA-A268JBKZ | Cover | 1 | AN |
| 2- 7-1 | PCOV-A594JBPZ | Terminal cover | 1 | AE |
| 2- 7-2 | PFTA-A090JBFA | Cover | 1 | AL |
| 2- 8 | PRDAFA170JBEZ | Heat sink | 1 | AR |
| 2- 9 | FDAI-A006JBWZ | Capacitor angle assy | 1 | AG |
| 2- 10 | LBNDKA105JBWZ | Capacitor clamp | 1 | AD |
| 2- 11 | PBOX-A396JBFZ | Control box | 1 | AP |
| 2- 12 | PDAI-A138JBWZ | Terminal base [AEX07ER] [AEX09ER] | 1 | AG |
| 2- 12 | PDAI-A134JBWZ | Terminal base [AEX12ER] | 1 | |
| 2- 13 | PCOV-A595JBFZ | Cover | 1 | AE |
| 2- 14 | PSKR-A258JBPZ | Bulkhead [AEX07ER] [AEX09ER] | 1 | AH |
| 2- 14 | PSKR-A283JBPZ | Bulkhead [AEX12ER] | 1 | AS |
| 2- 15 | GCAB-A237JBTA | Front panel [AEX07ER] [AEX09ER] | 1 | AY |
| 2- 15 | GCAB-A220JBTA | Front panel [AEX12ER] | 1 | BC |
| 2- 16 | GGADPA004JBFA | Fan guard [AEX07ER] [AEX09ER] | 1 | AR |
| 2- 16 | GGADPA007JBFA | Fan gaurd [AEX12ER] | 1 | AS |
| 2- 17 | JHNDPA015JBFA | Handle | 1 | AD |
| 2- 18 | LHLD-A449JBF0 | Thermistor holder | 1 | AH |
| 2- 19 | LHLD-A491JBFZ | Cord clamp | 1 | |
| 2- 20 | LHLD-A492JBFZ | Cord clamp base | 1 | |
| 2- 21 | MSPR-A026JBE0 | Spring | 2 | AB |
| 2- 22 | MSPR-A027JBE0 | Thermistor spring [AEX07ER] [AEX09ER] | 1 | AB |
| 2- 23 | MSPR-A036JBE0 | Thermistor spring [AEX12ER] | 1 | AB |
| 2- 24 | MSPR-A143JBEZ | Spring [AEX12ER] | 1 | AD |
| 2- 25 | NFANPA110JBEZ | Propeller fan [AEX07ER] [AEX09ER] | 1 | AQ |
| 2- 25 | NFANPA118JBEZ | Propeller fan [AEX12ER] | 1 | AU |
| 2- 26 | PPLT-A370JBTZ | Side cover r [AEX07ER] [AEX09ER] | 1 | |
| 2- 26 | PPLT-A375JBTA | Side cover r [AEX12ER] | 1 | AW |
| 2- 27 | PSPF-A871JBEZ | Comp cover top [AEX07ER] [AEX09ER] | 1 | AF |

| REF. NO. | PART NO. | DESCRIPTION | Q'TY | CODE |
|----------|---------------|--|------|------|
| 2- 27 | PSPF-A918JBEZ | Comp cover top [AEX12ER] | 1 | AT |
| 2- 28 | PSPF-A878JBEZ | Compressor cover [AEX07ER] [AEX09ER] | 1 | AT |
| 2- 28 | PSPF-A919JBEZ | Compressor cover [AEX12ER] | 1 | AE |
| 2- 29 | PSPF-A879JBEZ | Compressor cover b [AEX07ER] [AEX09ER] | 1 | AD |
| 2- 30 | CANG-A165JBKZ | Holder ass'y [AEX12ER] | 1 | AH |
| 2- 31 | TLAB-C511JBRA | Label | 1 | AC |
| 2- 32 | TLABMA356JBRA | Inverter label | 1 | |
| 2- 33 | TSPC-E667JBRZ | Name badgc [AEX07ER] | 1 | AC |
| 2- 33 | TSPC-E650JBRZ | Name badgc [AEX09ER] | 1 | AC |
| 2- 33 | TSPC-E679JBRZ | Name badgc [AEX12ER] | 1 | AC |

CYCLE PARTS

| | | | | |
|-------|---------------|---|---|----|
| 3- 1 | CCHS-A842JBTA | Base pan ass'y [AEX07ER] [AEX09ER] | 1 | |
| 3- 1 | CCHS-A884JBTA | Base pan ass'y [AEX12ER] | 1 | AW |
| 3- 2 | DVLV-A571JBKZ | 3way valve unit [AEX07ER] [AEX09ER] | 1 | AU |
| 3- 2 | DVLV-A657JBKZ | 3way valve unit [AEX12ER] | 1 | AV |
| 3- 3 | LX-NZA270JBEZ | Service nut | 1 | |
| 3- 4 | LX-NZA271JBEZ | Bonnet [AEX07ER] [AEX09ER] | 1 | |
| 3- 4 | LX-NZA307JBEZ | Bonnet [AEX12ER] | 1 | |
| 3- 5 | DVLV-A572JBKZ | 2way valve unit | 1 | AQ |
| 3- 6 | LX-NZA271JBEZ | Bonnet | 1 | |
| 3- 7 | DVLV-A581JBKZ | Control valve ass'y [AEX07ER] [AEX09ER] | 1 | BG |
| 3- 7 | DVLV-A653JBKZ | Control valve ass'y [AEX12ER] | 1 | |
| 3- 8 | CCIL-A129JBKZ | Coil ass'y | 1 | AU |
| 3- 9 | PVLVXA052JBEZ | Reverse valve [AEX07ER] [AEX09ER] | 1 | BB |
| 3- 9 | PVLVXA061JBEZ | Reverse valve [AEX12ER] | 1 | BD |
| 3- 10 | PDAI-A123JBTA | Flare coupling base | 1 | |
| 3- 11 | PGUM-A008JBE0 | Damper rubber | 1 | AF |
| 3- 12 | DCON-A242JBPZ | Condenser ass'y [AEX07ER] [AEX09ER] | 1 | BV |
| 3- 12 | DCON-A241JBPZ | Condenser ass'y [AEX12ER] | 1 | BV |
| 3- 13 | PCMPRA430JBEZ | Compressor | 1 | CC |
| 3- 14 | GLEG-A099JBE0 | Compressor cushion | 3 | AD |
| 3- 15 | LX-NZA026JBE0 | Special nut | 3 | |

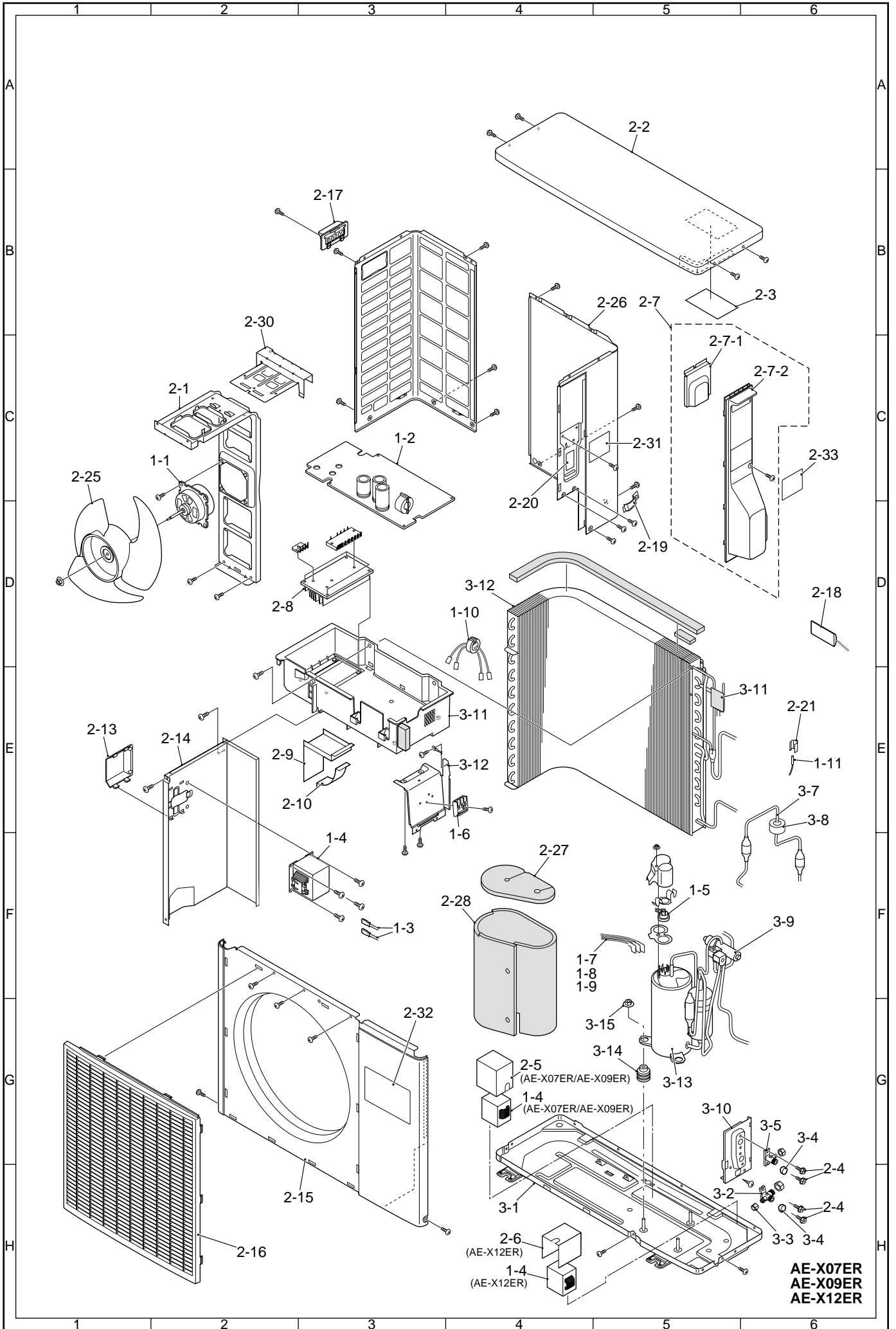
PACKING PARTS

| | | | | |
|-------|---------------|--------------------------------------|---|----|
| 90- 1 | CPADBA773YDKZ | Top pad ass'y [AEX07ER] [AEX09ER] | 1 | AG |
| 90- 1 | CPADBA048JBKZ | Top pad ass'y [AEX12ER] | 1 | |
| 90- 2 | CPADBA774YDKZ | Bottom pad ass'y [AEX07ER] [AEX09ER] | 1 | AN |
| 90- 2 | CPADBA049JBKZ | Bottom pad ass'y [AEX12ER] | 1 | |
| 90- 3 | SPAKCB550JBEZ | Packing case [AEX07ER] | 1 | |
| 90- 3 | SPAKCB536JBEZ | Packing case [AEX09ER] | 1 | |
| 90- 3 | SPAKCB565JBEZ | Packing case [AEX12ER] | 1 | AU |

HOW TO ORDER REPLACEMENT PARTS

To have your order filled promptly and correctly, please furnish the following information.

- 1. MODEL NUMBER 2. REF. NO. 3. PART NO. 4. DESCRIPTION**



AE-X07ER
 AE-X09ER
 AE-X12ER

MEMO

MEMO

SHARP