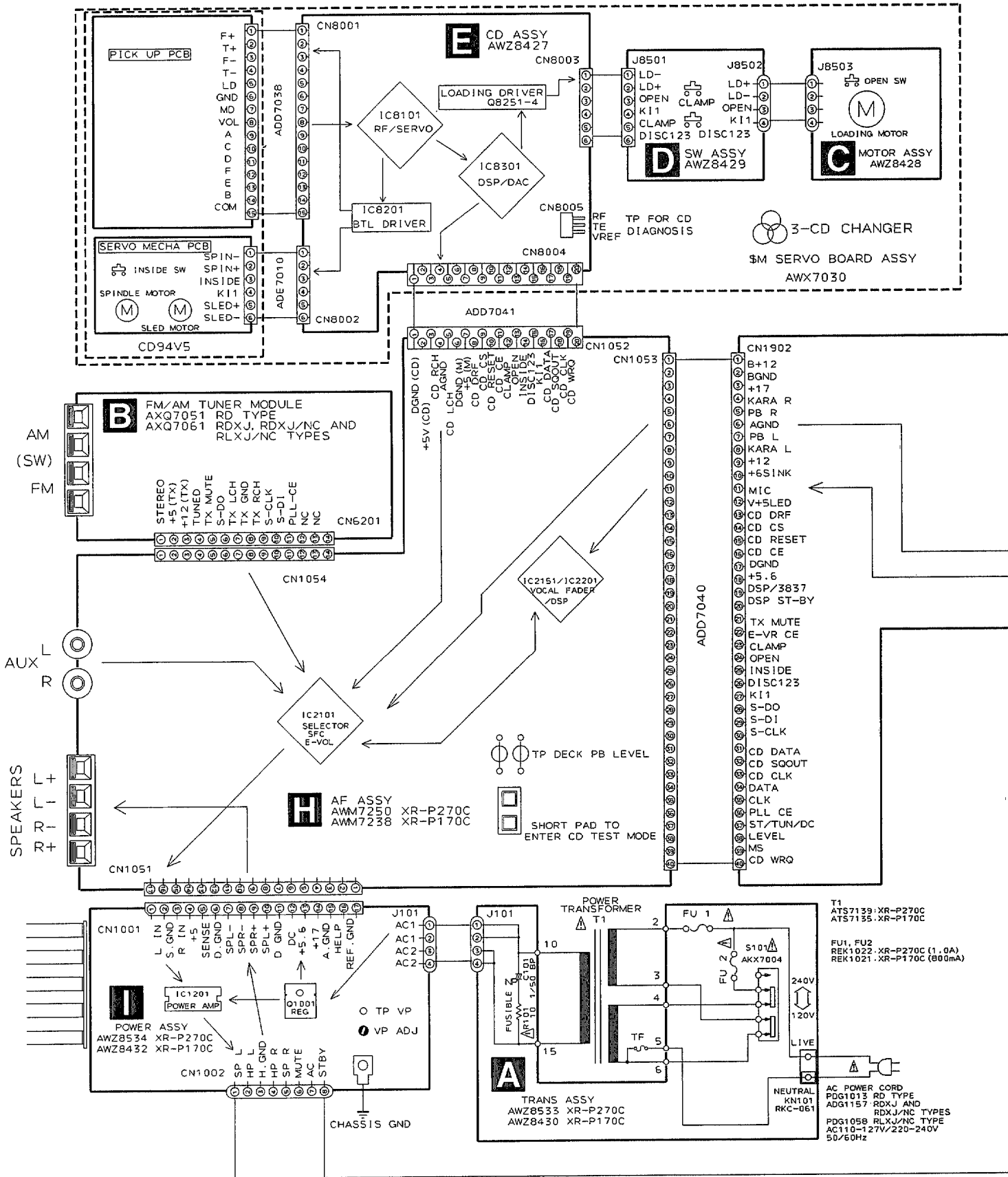


3. SCHEMATIC DIAGRAM

Note: When ordering service parts, be sure to refer to "EXPLODED VIEWS AND PARTS LIST "or "PCB PARTS LIST".

3.1 OVERALL CONNECTION AND TRANS ASSY

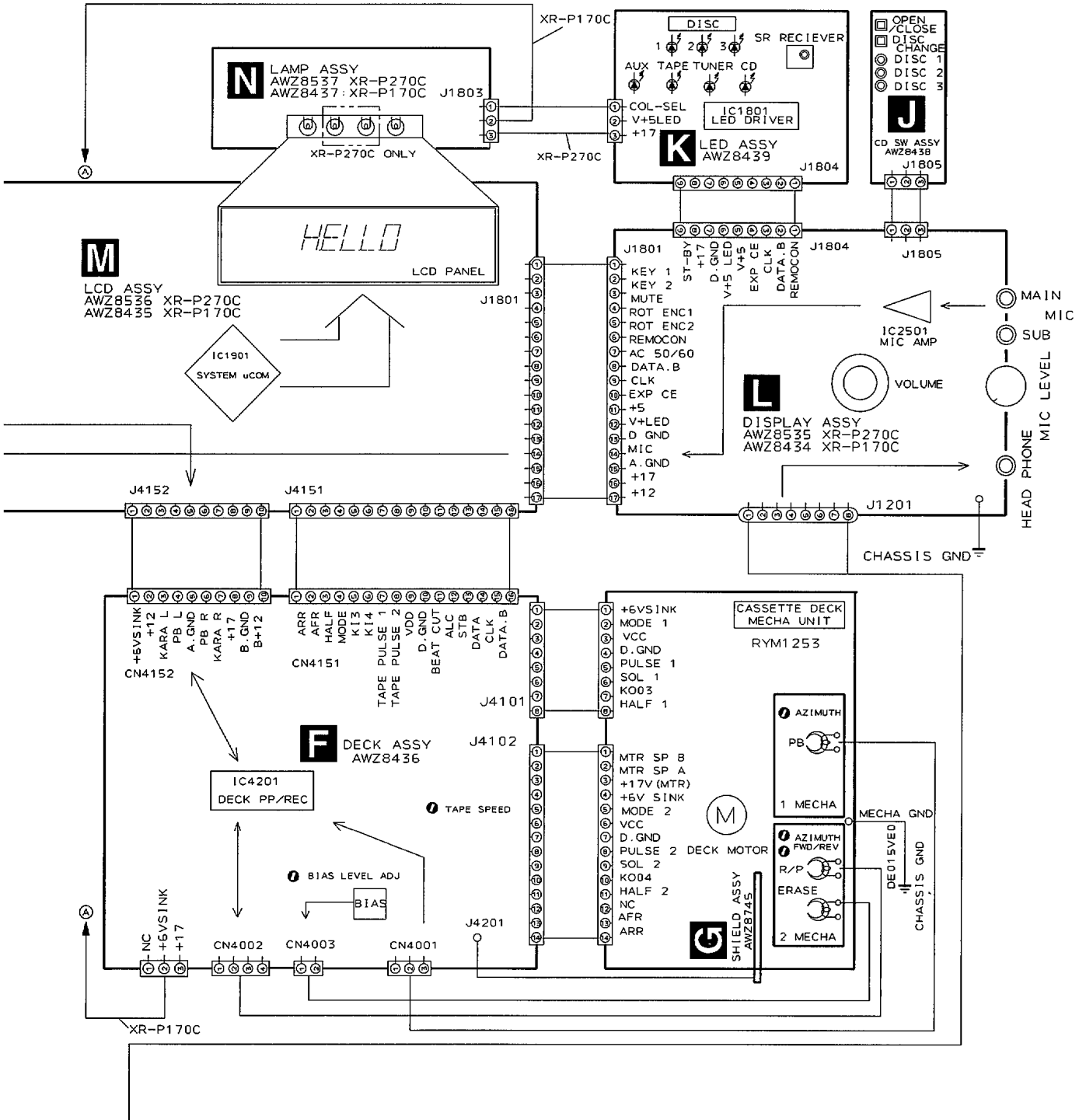


NOTE FOR FUSE REPLACEMENT

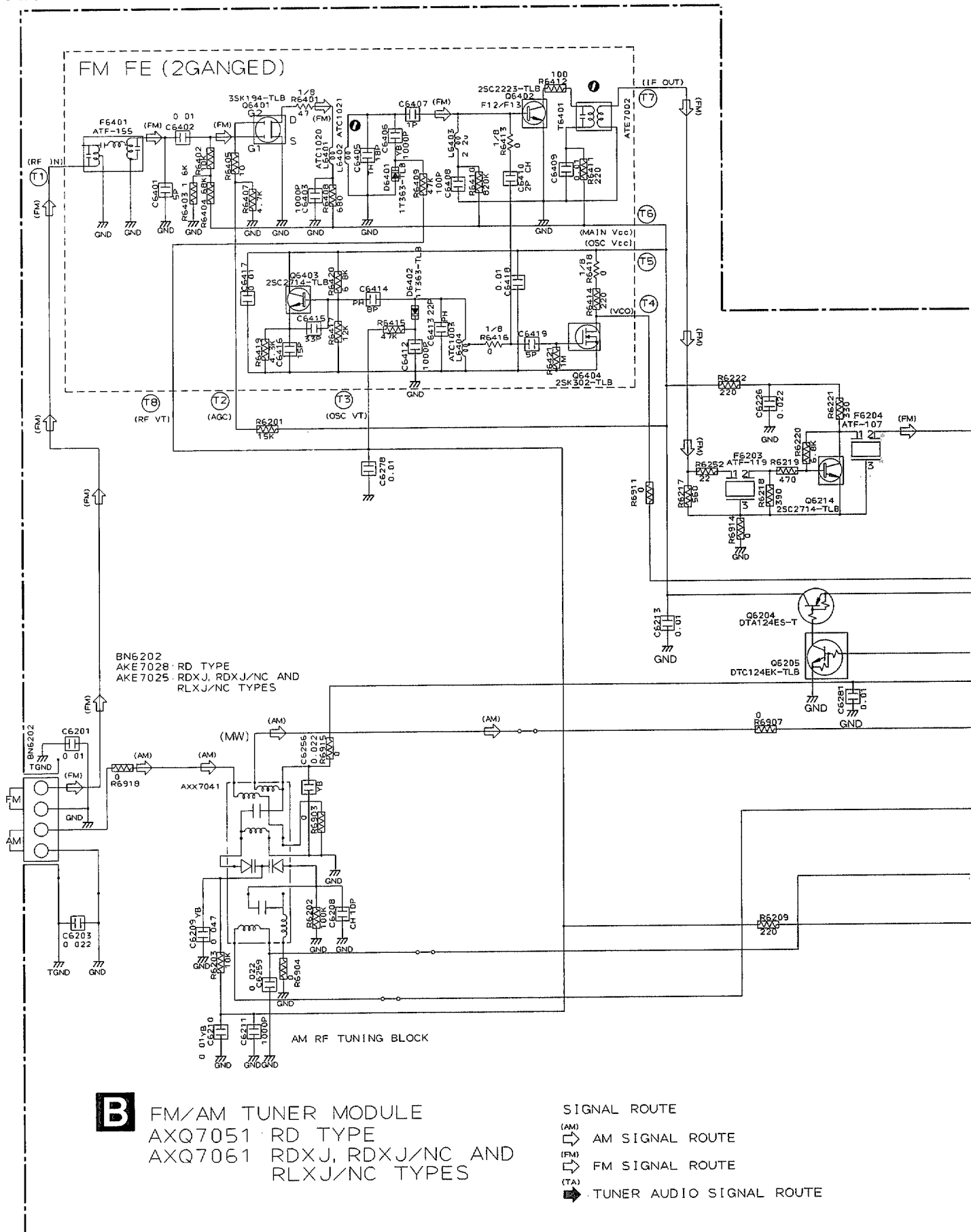
www.otv-horvat-dj.hr

FOR CONTINUED PROTECTION AGAINST RISK OF FIRE, REPLACE ONLY WITH SAME TYPE AND RATINGS ONLY.





3.2 FM/AM TUNER MODULE



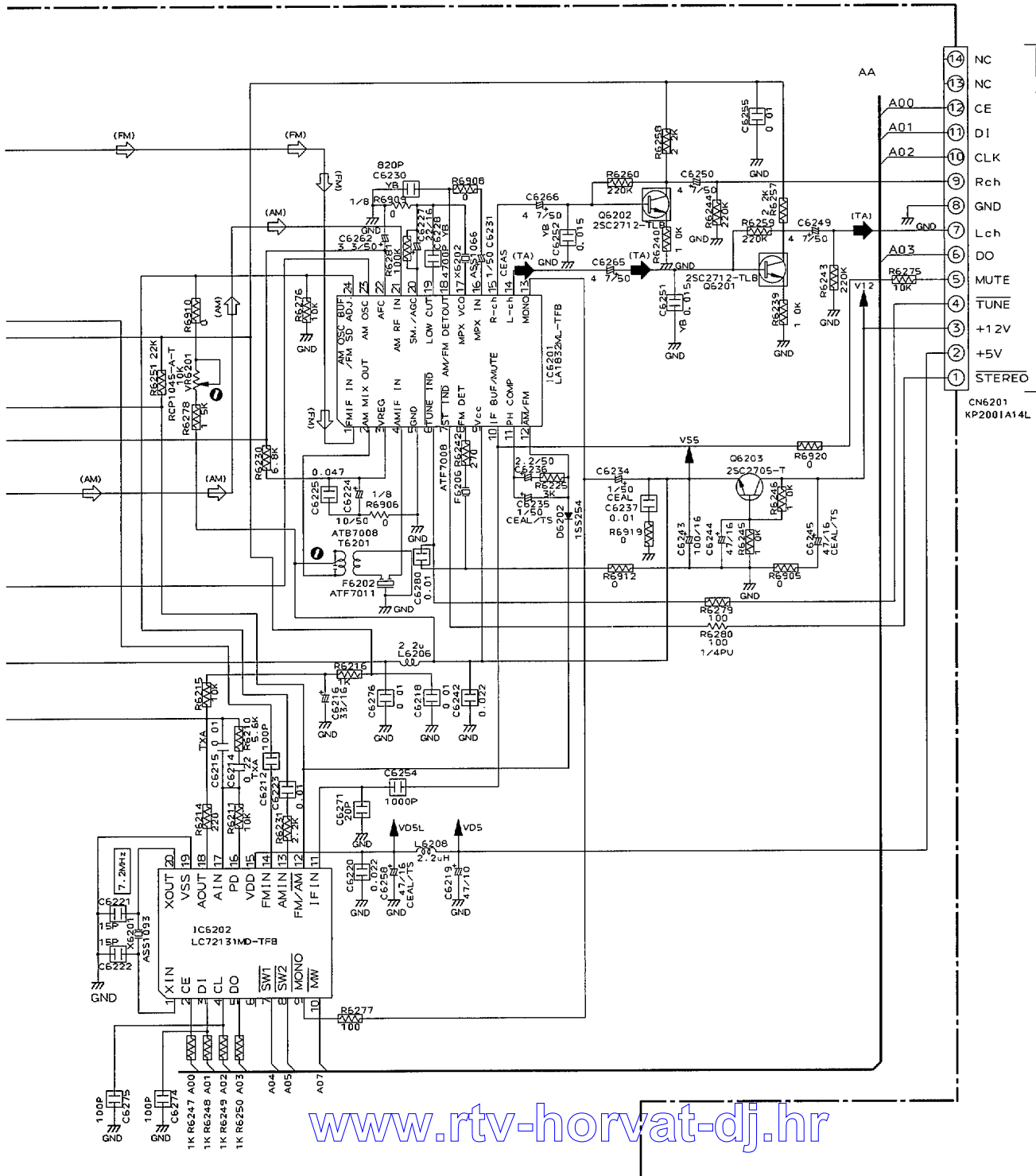
Notes

1. RESISTORS

Indicated in Ω , $1/10W \pm 5\%$ Tolerance unless otherwise noted K:K Ω , M:M Ω .

2. CAPACITORS

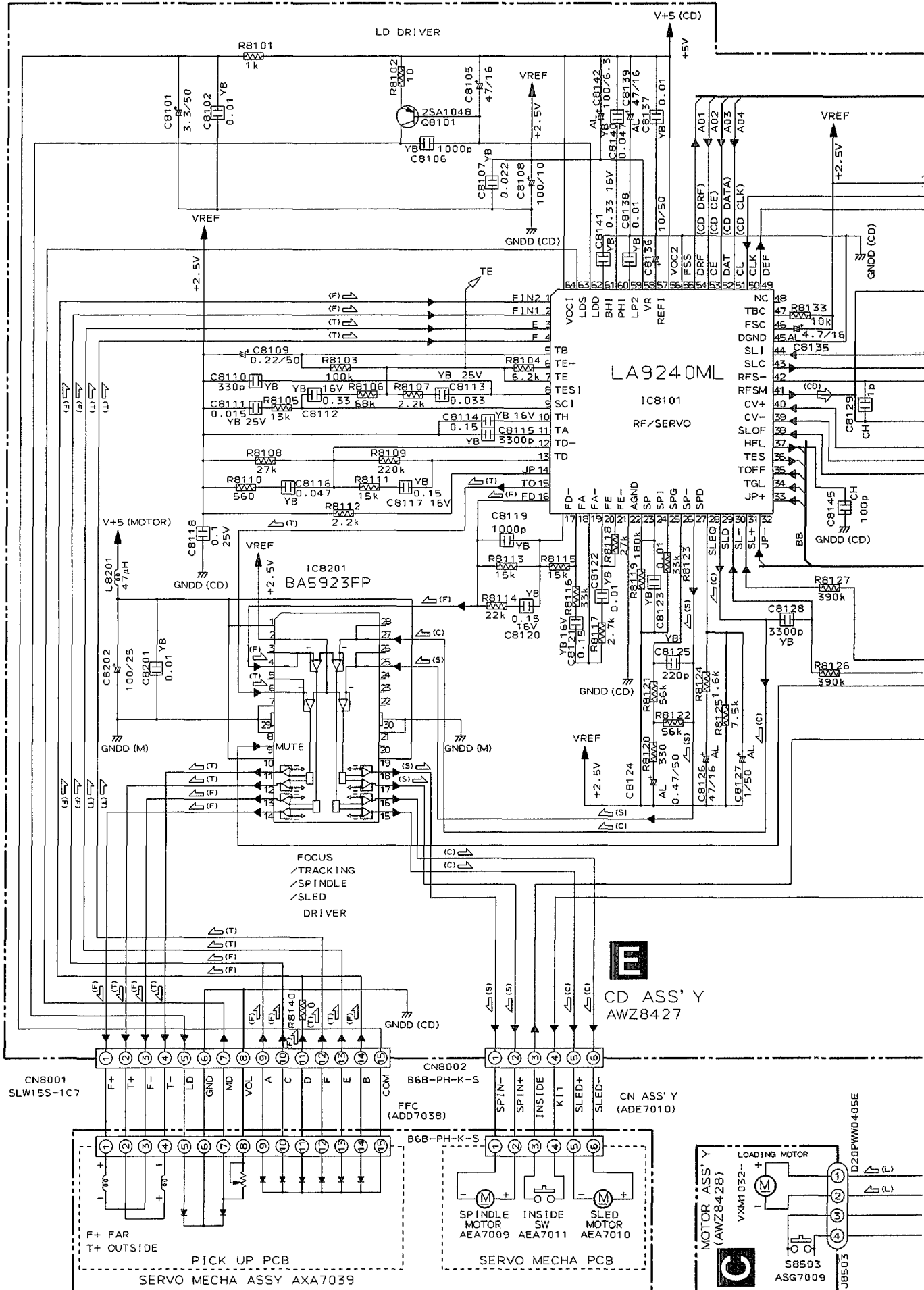
Indicated in Capacity (μF)/VOLTAGE (V) unless otherwise noted P.P.F.

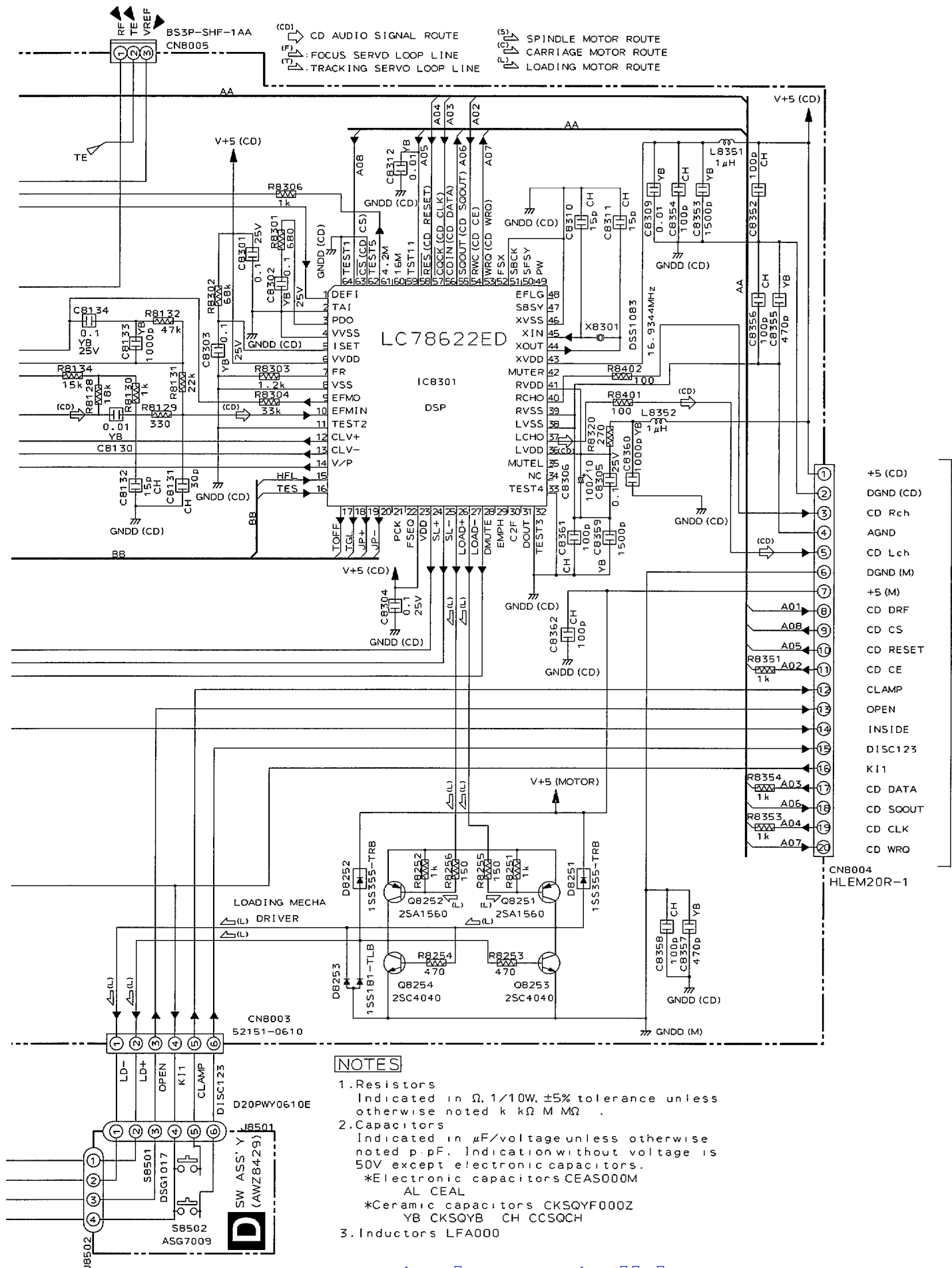


H CN1054

XR-P270C, XR-P170C

3.3 MOTOR ASSY, SW ASSY AND CD ASSY





H CN1052

NOTES

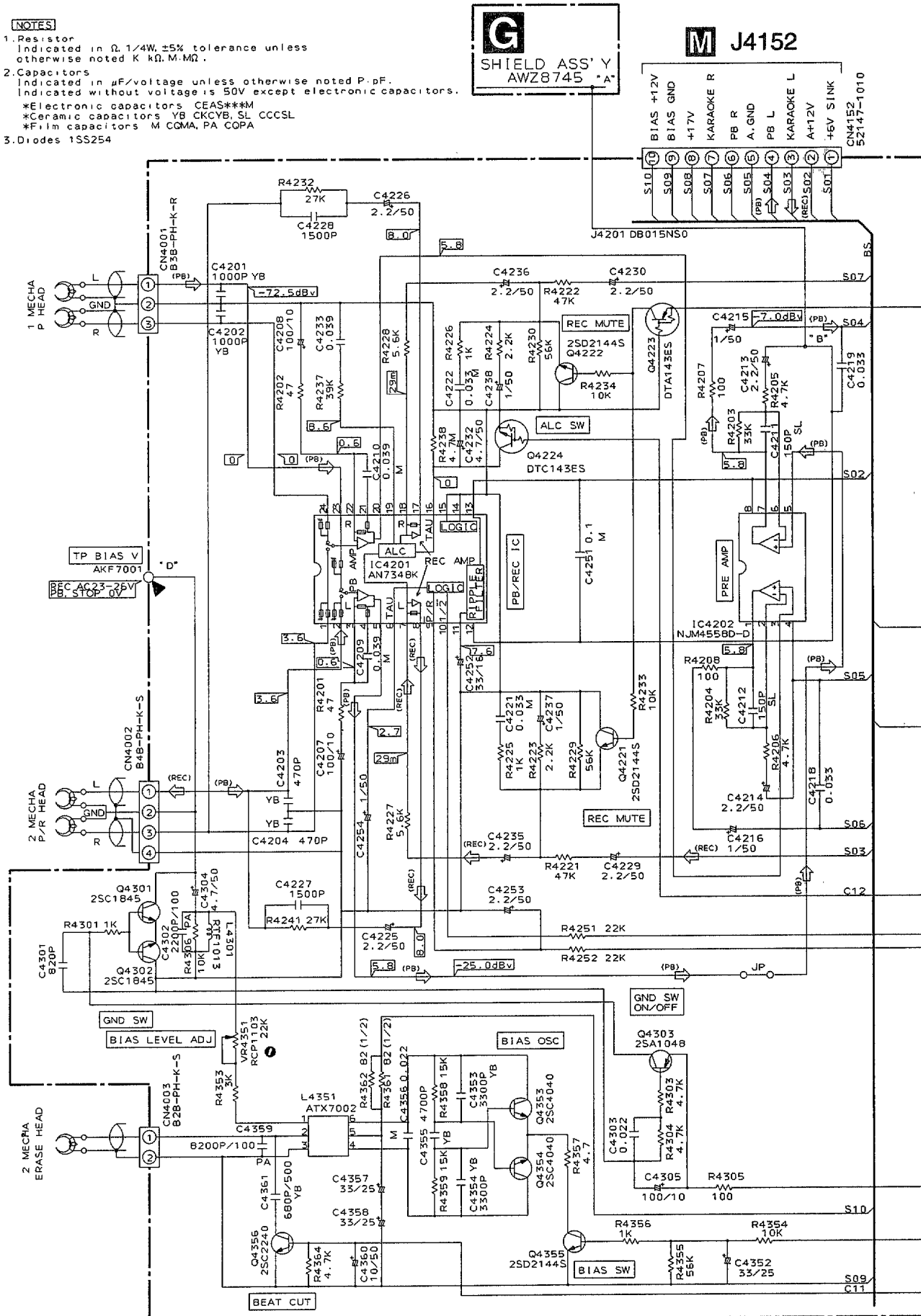
- Resistors Indicated in Ω , 1/10W, $\pm 5\%$ tolerance unless otherwise noted k Ω M Ω
- Capacitors Indicated in μF /voltage unless otherwise noted p.p.F. Indication without voltage is 50V except electronic capacitors.
 *Electronic capacitors CEAS000M
 AL CEAL
 *Ceramic capacitors CKSQYF000Z
 YB CKSQYB CH CCSQCH
- Inductors LFA000



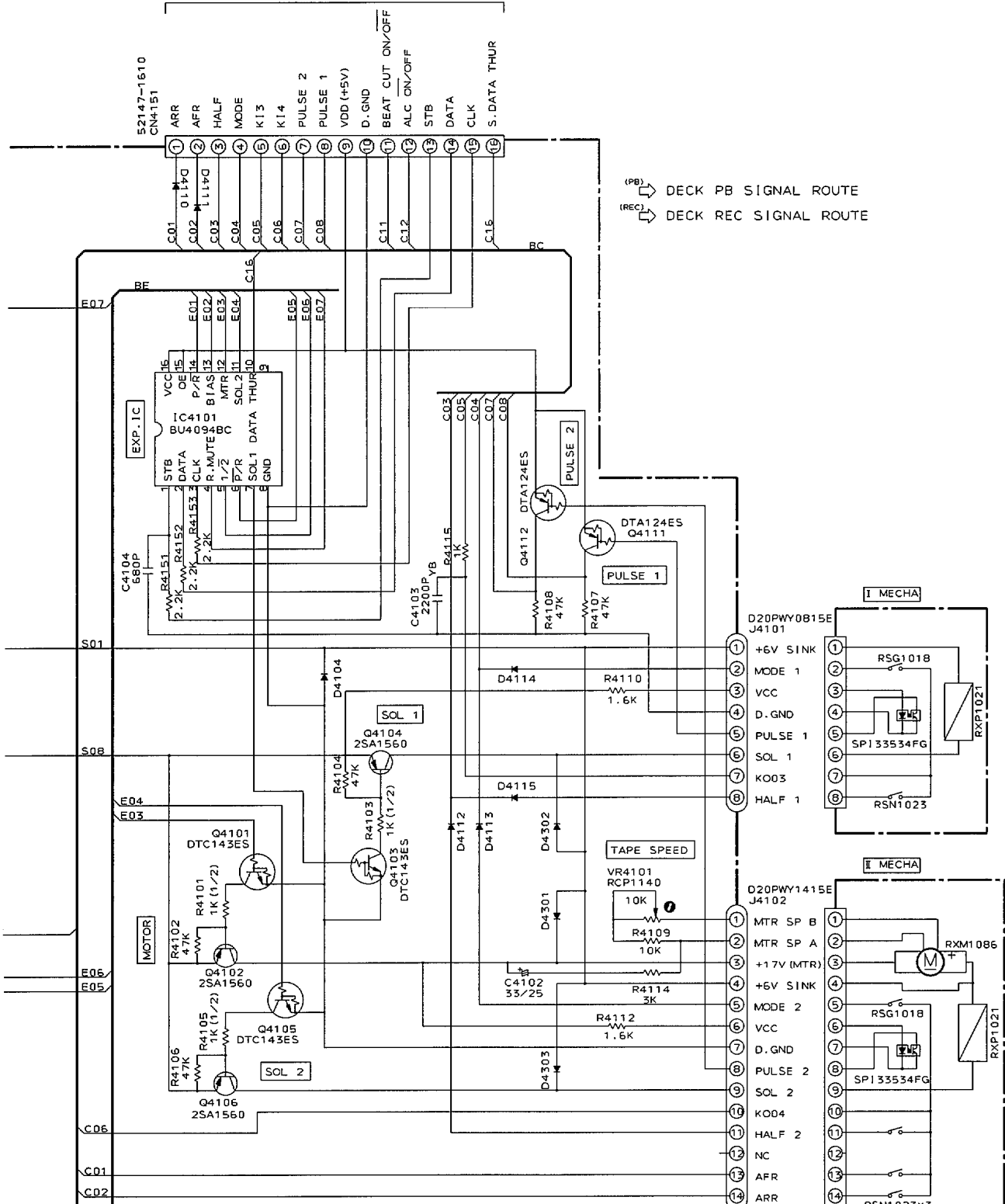
3.4 DECK ASSY AND SHIELD ASSY

NOTES

- Resistor
Indicated in Ω , 1/4W, $\pm 5\%$ tolerance unless otherwise noted K Ω , M, M Ω .
- Capacitors
Indicated in μ F/voltage unless otherwise noted P, pF.
Indicated without voltage is 50V except electronic capacitors.
*Electronic capacitors CEAS***M
*Ceramic capacitors YB CKCYB, SL CCCSL
*Film capacitors M CGMA, PA COPA
- Diodes 1S5254

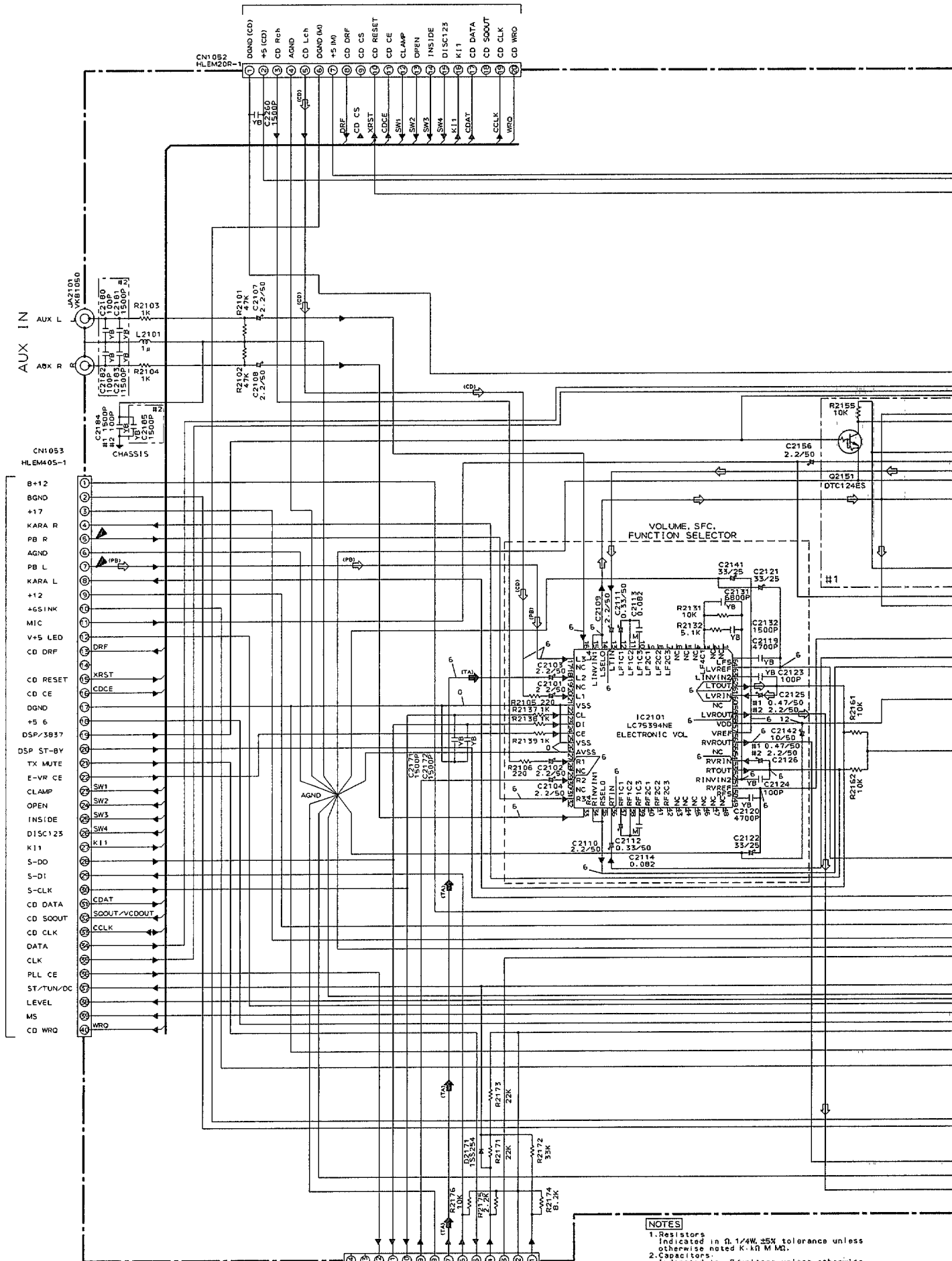


M J4151



3.5 AF ASSY

E CN8004

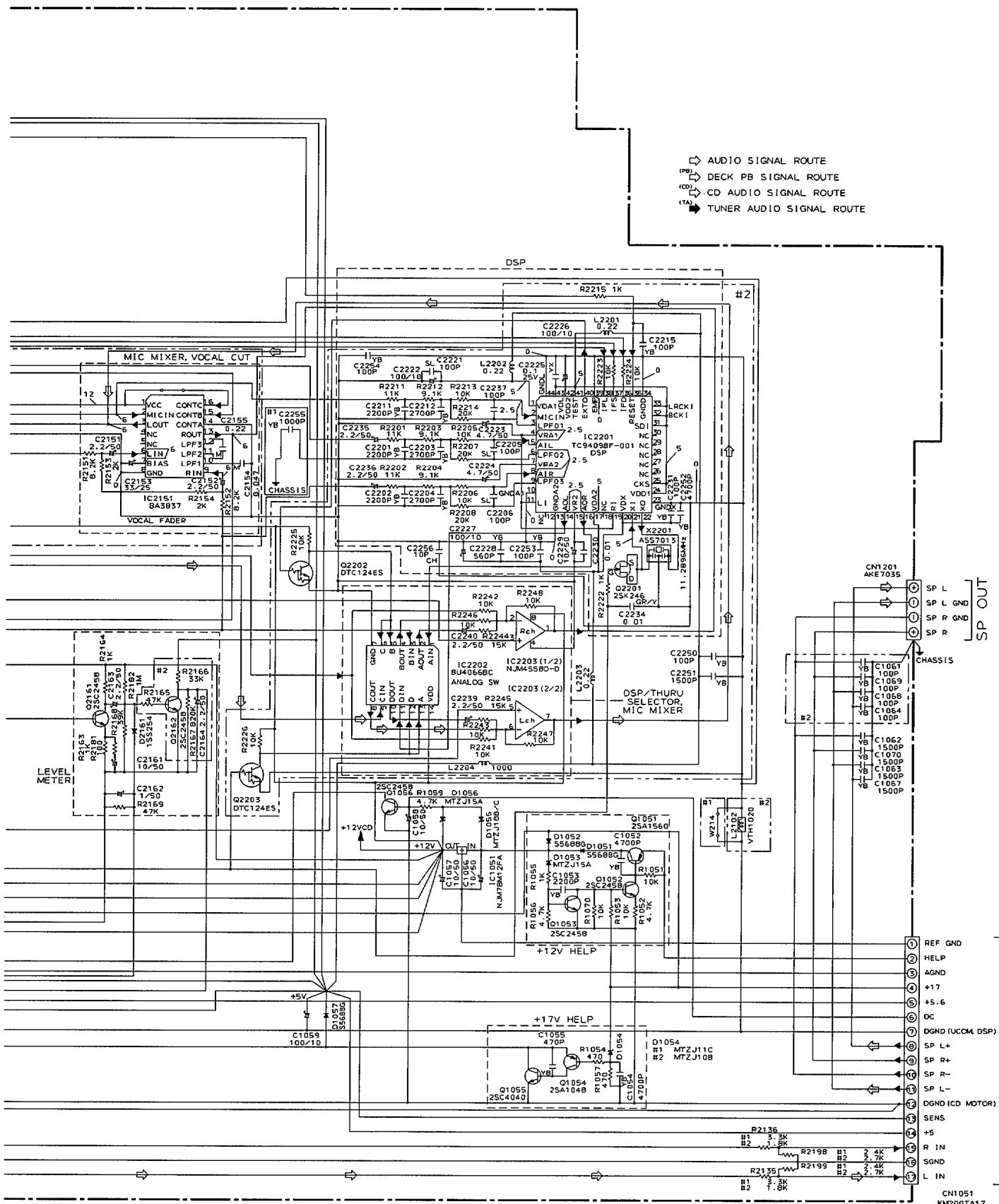


- NOTES**
- Resistors indicated in Ω , 1/4W, 5% tolerance unless otherwise noted. K-in M Ohm.
 - Capacitors indicated in μF /vol tags unless otherwise noted. P-BF Indication without voltage is 50V except electronic capacitors.
 - Electronic capacitors: CEAS00M
 - Ceramic capacitors: CCYF00Z
 - YB CCKYB YX CCKYX SL-CCSSL
 - Film capacitors: M-CMA
 - Inductors LAU000

www.rtv-horvot-dj.hr



B CN6201



H AF ASS'Y
 AWM7250 XR-P270C
 AWM7238 XR-P170C

H1 XR-P170C ONLY
 H2 XR-P270C ONLY

www.rtv-horvat-dj.hr



CN1001

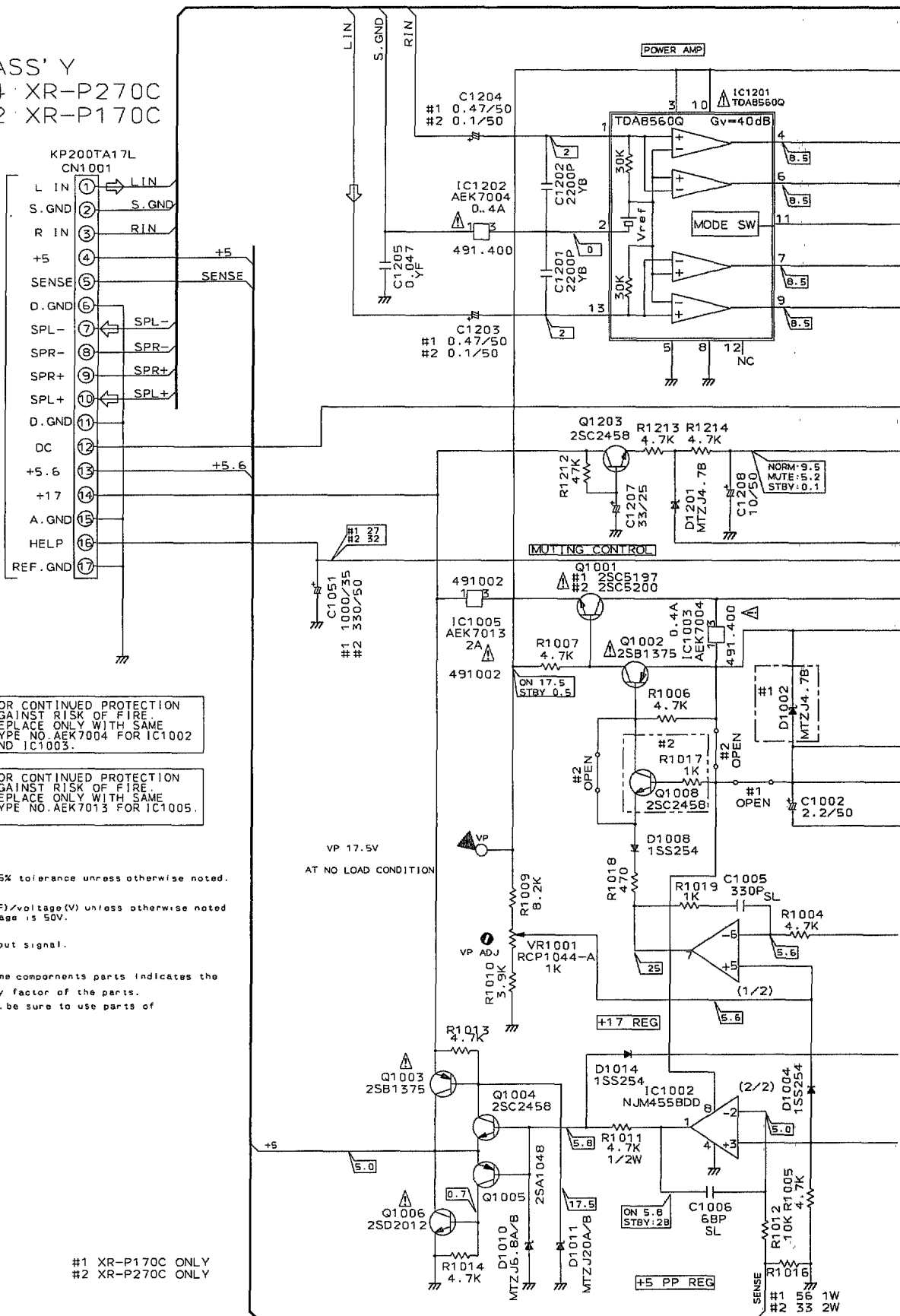
- ① REF GND
- ② HELP
- ③ AGND
- ④ +17
- ⑤ +5.6
- ⑥ DC
- ⑦ DGND (UCCM DSP)
- ⑧ SP L+
- ⑨ SP R+
- ⑩ SP L-
- ⑪ SP R-
- ⑫ DGND (CD MOTOR)
- ⑬ SENS
- ⑭ +5
- ⑮ R IN
- ⑯ SGND
- ⑰ L IN

CN1051
 KM200TA17

3.6 POWER ASSY

POWER ASS'Y
 AWZ8534 XR-P270C
 AWZ8432 XR-P170C

CN1051



CAUTION FOR CONTINUED PROTECTION AGAINST RISK OF FIRE. REPLACE ONLY WITH SAME TYPE NO. AEK7004 FOR IC1002 AND IC1003.

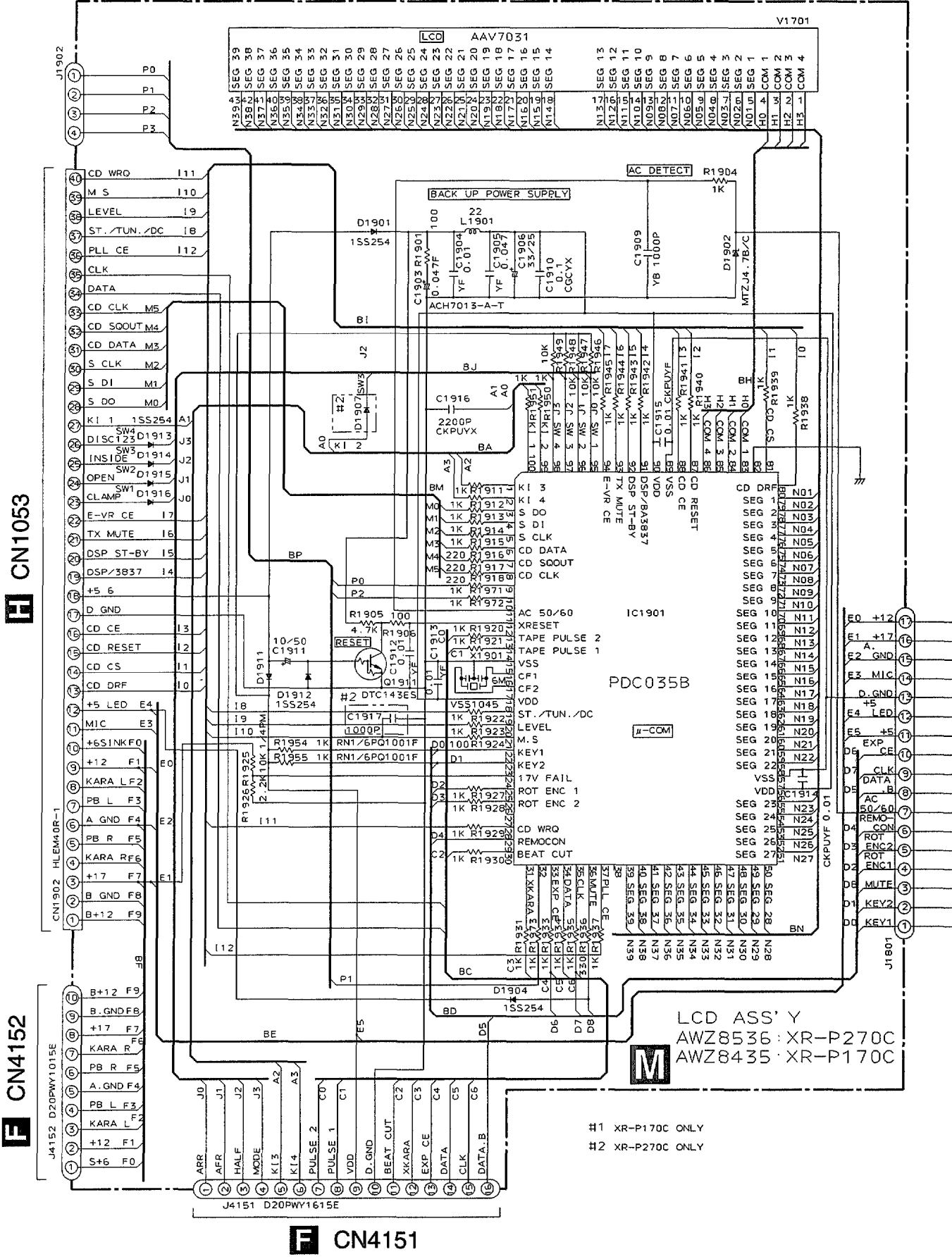
CAUTION FOR CONTINUED PROTECTION AGAINST RISK OF FIRE. REPLACE ONLY WITH SAME TYPE NO. AEK7013 FOR IC1005.

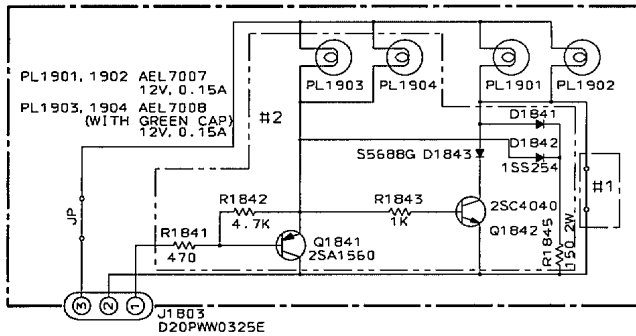
Notes

- resistors Indicated in Ohm, 1/4W, ±5% tolerance unless otherwise noted.
- Capacitors Indicated in capacity (uF)/voltage (V) unless otherwise noted. Indication without voltage is 50V.
- Voltage DC voltage (V) at no input signal.
- Others The Δ mark found on some components parts indicates the importance of the safety factor of the parts. Therefore, when replacing, be sure to use parts of identical designation.

#1 XR-P170C ONLY
 #2 XR-P270C ONLY

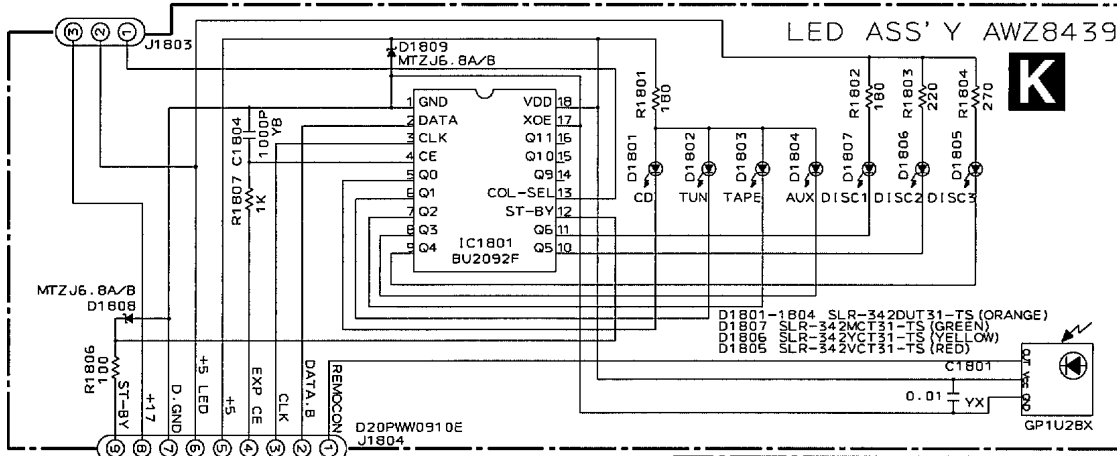
3.7 CD SW ASSY, LED ASSY, DISPLAY ASSY, LCD ASSY AND LAMP ASSY



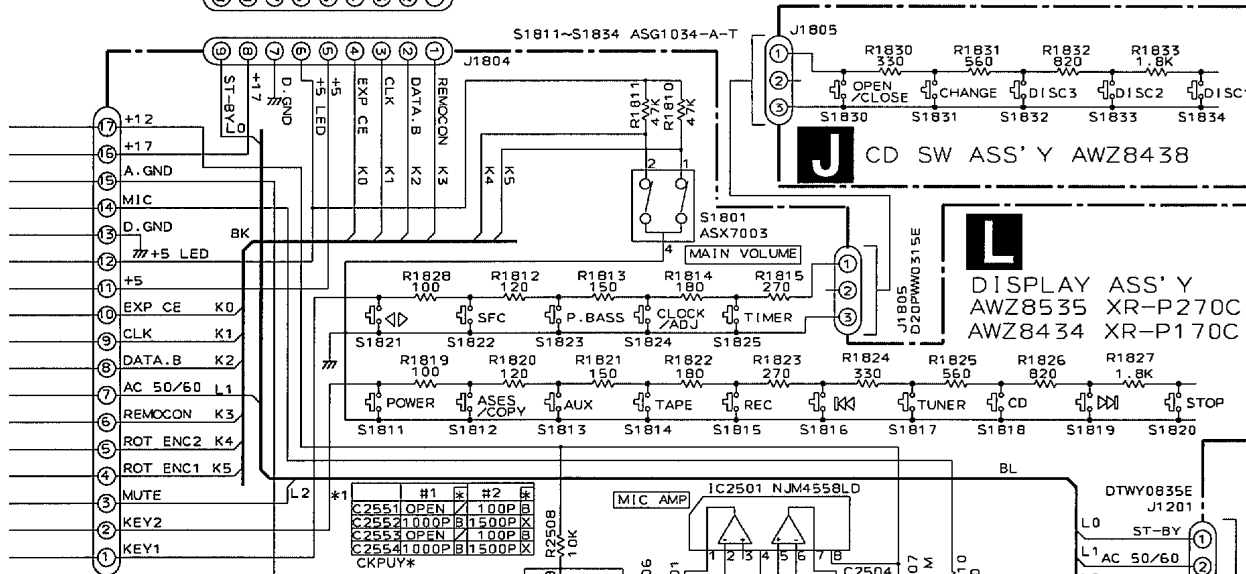


N
LAMP ASS'Y
AWZ8537 XR-P270C
AWZ8437 XR-P170C

- NOTES**
- Resistors
Indicated in Ω , 1/4W, $\pm 5\%$ tolerance unless otherwise noted K k Ω , M M Ω .
 - Capacitors
Indicated in μ F/voltage unless otherwise noted P pF. Indication without voltage is 50V except electronic capacitors.
*Electronic capacitors CEAS000M
*Ceramic capacitors YB CKCYB YX CKCYX YF CKCYF
 - Diodes 1S5254

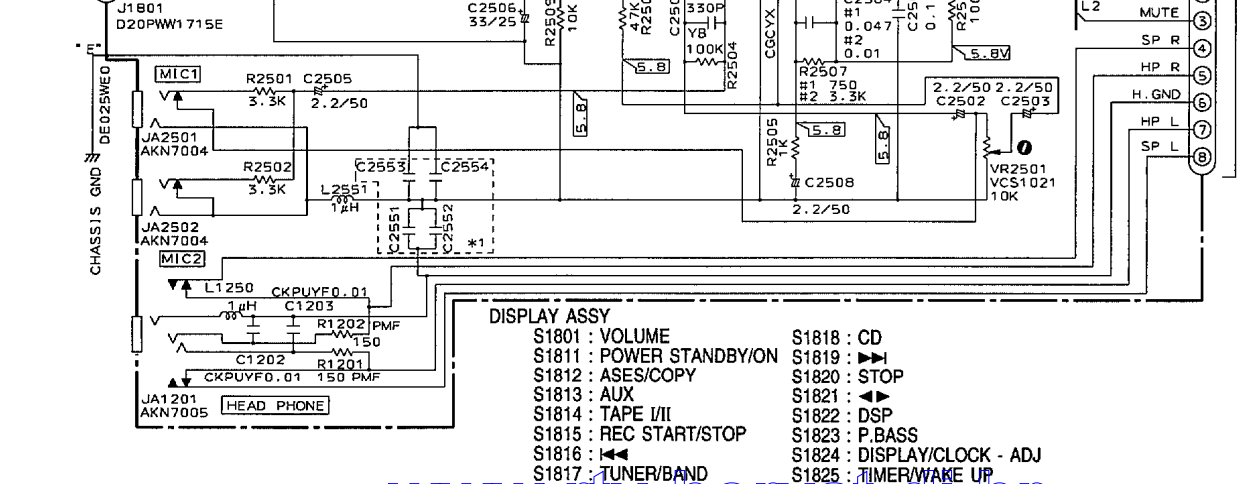


K
LED ASS'Y AWZ8439



- CD SW ASSY**
S1830 : OPEN/CLOSE
S1831 : DISC CHANGE
S1832 : DISC 3
S1833 : DISC 2
S1834 : DISC 1

L
DISPLAY ASS'Y
AWZ8535 XR-P270C
AWZ8434 XR-P170C



- DISPLAY ASSY**
- | | |
|--------------------------|-----------------------------|
| S1801 : VOLUME | S1818 : CD |
| S1811 : POWER STANDBY/ON | S1819 : ►► |
| S1812 : ASES/COPY | S1820 : STOP |
| S1813 : AUX | S1821 : ◀◀ |
| S1814 : TAPE I/II | S1822 : DSP |
| S1815 : REC START/STOP | S1823 : P.BASS |
| S1816 : ◀ | S1824 : DISPLAY/CLOCK - ADJ |
| S1817 : TUNER/BAND | S1825 : TIMER/WAKE UP |