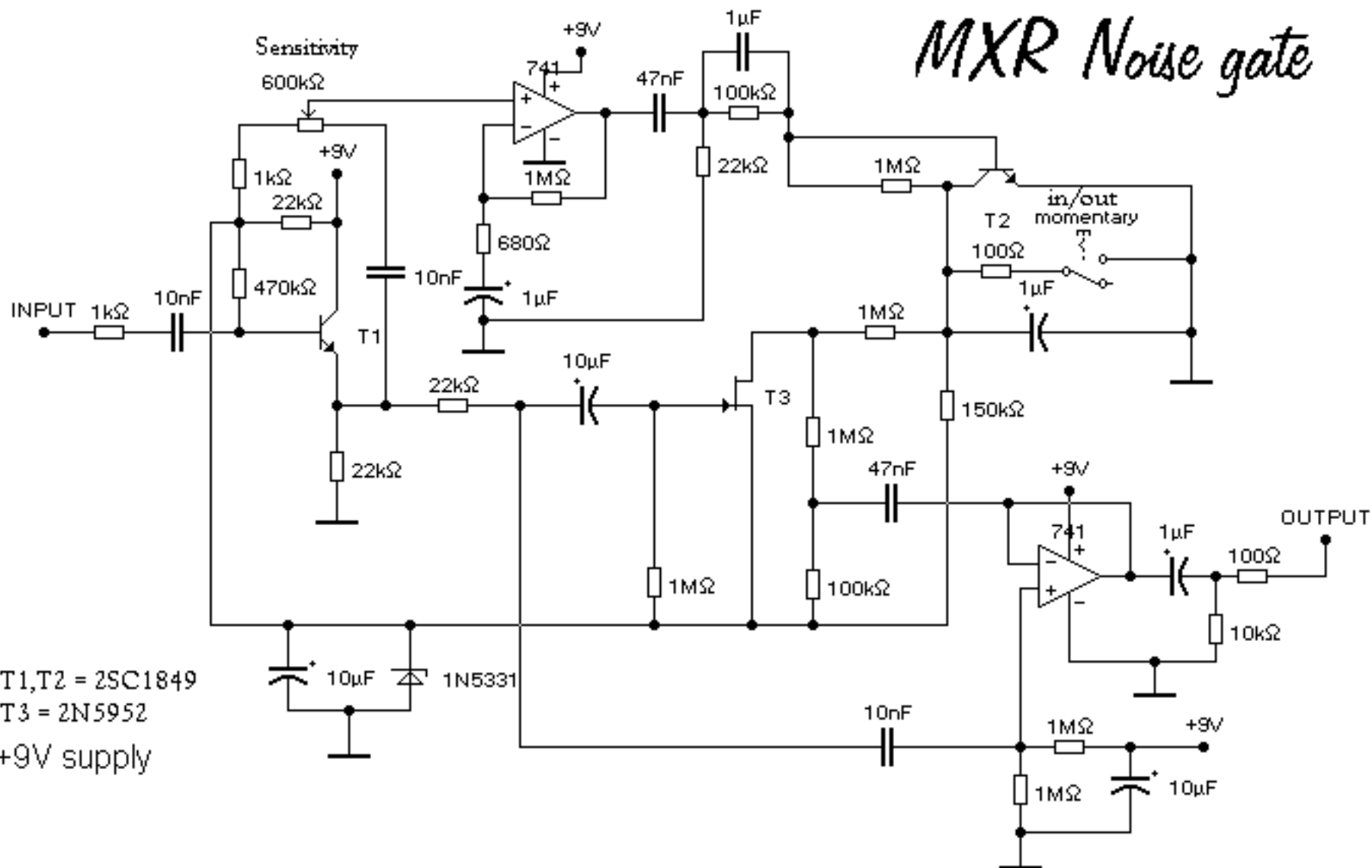


# *MXR Noise gate*



T1,T2 = 2SC1849  
T3 = 2N5952  
+9V supply